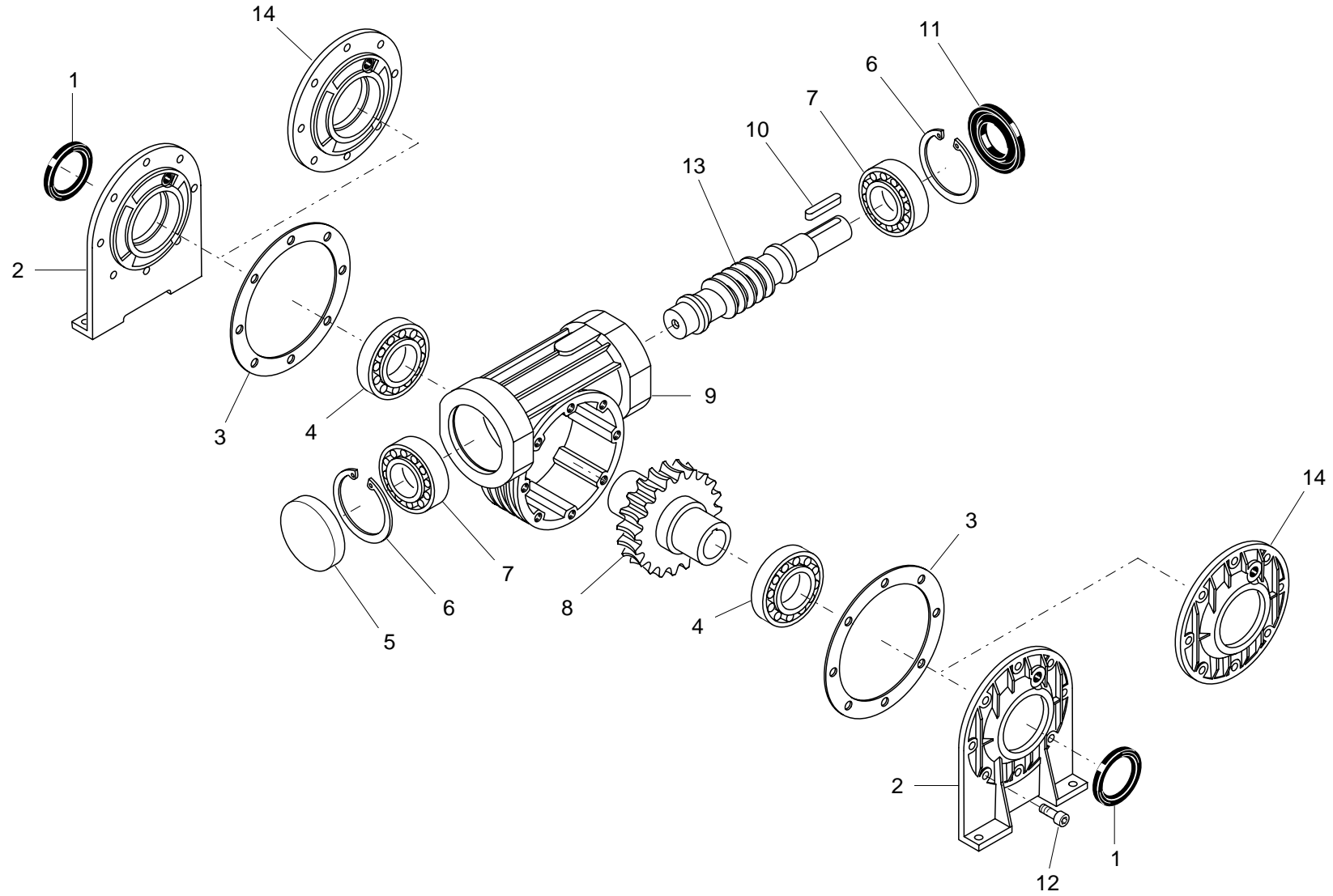


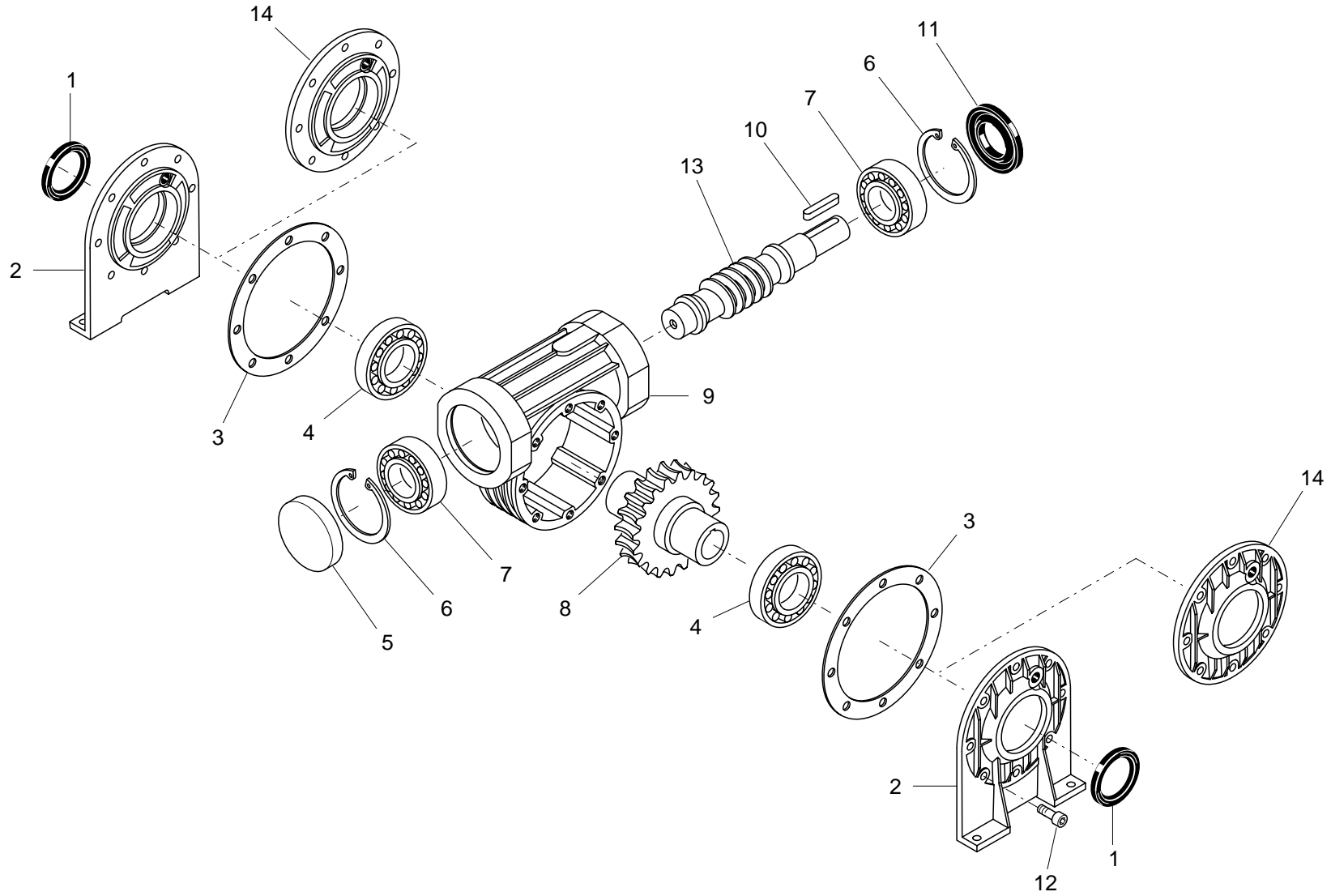
POS.	CODICE	DESCRIZIONE	MAT.	Q.TA'
1	20003450	CORPO I30		1
2	20003421	V.S.F. I30 R1/7.5		1
2	20003423	V.S.F. I30 R1/10		1
2	20003424	V.S.F. I30 R1/15		1
2	20003426	V.S.F. I30 R1/20		1
2	20049646	V.S.F. I30 R1/20		1
2	20003427	V.S.F. I30 R1/25		1
2	20003428	V.S.F. I30 R1/30		1
2	20003430	V.S.F. I30 R1/40		1
2	20003431	V.S.F. I30 R1/50		1
2	20003433	V.S.F. I30 R1/60		1
2	20003434	V.S.F. I30 R1/80		1
2	20003436	V.S.F. I30 R1/100		1
3	20003437	CORONA I30 R1/7.5		1
3	20003438	CORONA I30 R1/10		1
3	20003439	CORONA I30 R1/15		1
3	20003440	CORONA I30 R1/20		1
3	20003441	CORONA I30 R1/25		1
3	20003442	CORONA I30 R1/30		1
3	20003445	CORONA I30 R1/40		1
3	20003446	CORONA I30 R1/50		1
3	20003447	CORONA I30 R1/60		1
3	20003448	CORONA I30 R1/80		1
3	20003449	CORONA I30 R1/100		1
4	00001612	LINGUETTA 3. 3.15		1
5	00001247	CUSCINETTO 6000		2
6	00001206	CUSCINETTO 16006		2
7	00001479	AN. DI TENUTA 10. 26. 7 BASL		1
8	00001516	AN. DI TENUTA 30. 55. 7 BASL		2
9	00001441	ANELLO SEEGER I 55 UNI 7437		2
10	00001433	ANELLO SEEGER I 26 UNI 7437		3
12	00028429	CAPPELLOTTO D.26 S.7		1

POS.	CODE	DESCRIPTION	MAT.	Q.TY
1	20003450	BODY I30		1
2	20003421	WORM SCREW I30 R1/7.5		1
2	20003423	WORM SCREW I30 R1/10		1
2	20003424	WORM SCREW I30 R1/15		1
2	20003426	WORM SCREW I30 R1/20		1
2	20049646	WORM SCREW I30 R1/20		1
2	20003427	WORM SCREW I30 R1/25		1
2	20003428	WORM SCREW I30 R1/30		1
2	20003430	WORM SCREW I30 R1/40		1
2	20003431	WORM SCREW I30 R1/50		1
2	20003433	WORM SCREW I30 R1/60		1
2	20003434	WORM SCREW I30 R1/80		1
2	20003436	WORM SCREW I30 R1/100		1
3	20003437	CROWN GEAR I30 R1/7.5		1
3	20003438	CROWN GEAR I30 R1/10		1
3	20003439	CROWN GEAR I30 R1/15		1
3	20003440	CROWN GEAR I30 R1/20		1
3	20003441	CROWN GEAR I30 R1/25		1
3	20003442	CROWN GEAR I30 R1/30		1
3	20003445	CROWN GEAR I30 R1/40		1
3	20003446	CROWN GEAR I30 R1/50		1
3	20003447	CROWN GEAR I30 R1/60		1
3	20003448	CROWN GEAR I30 R1/80		1
3	20003449	CROWN GEAR I30 R1/100		1
4	00001612	KEY 3. 3.15		1
5	00001247	BEARING 6000		2
6	00001206	BEARING 16006		2
7	00001479	OIL SEAL 10. 26. 7 BASL		1
8	00001516	OIL SEAL 30. 55. 7 BASL		2
9	00001441	SEEGER I 55 UNI 7437		2
10	00001433	SEEGER I 26 UNI 7437		3
12	00028429	CAP D.26 S.7		1



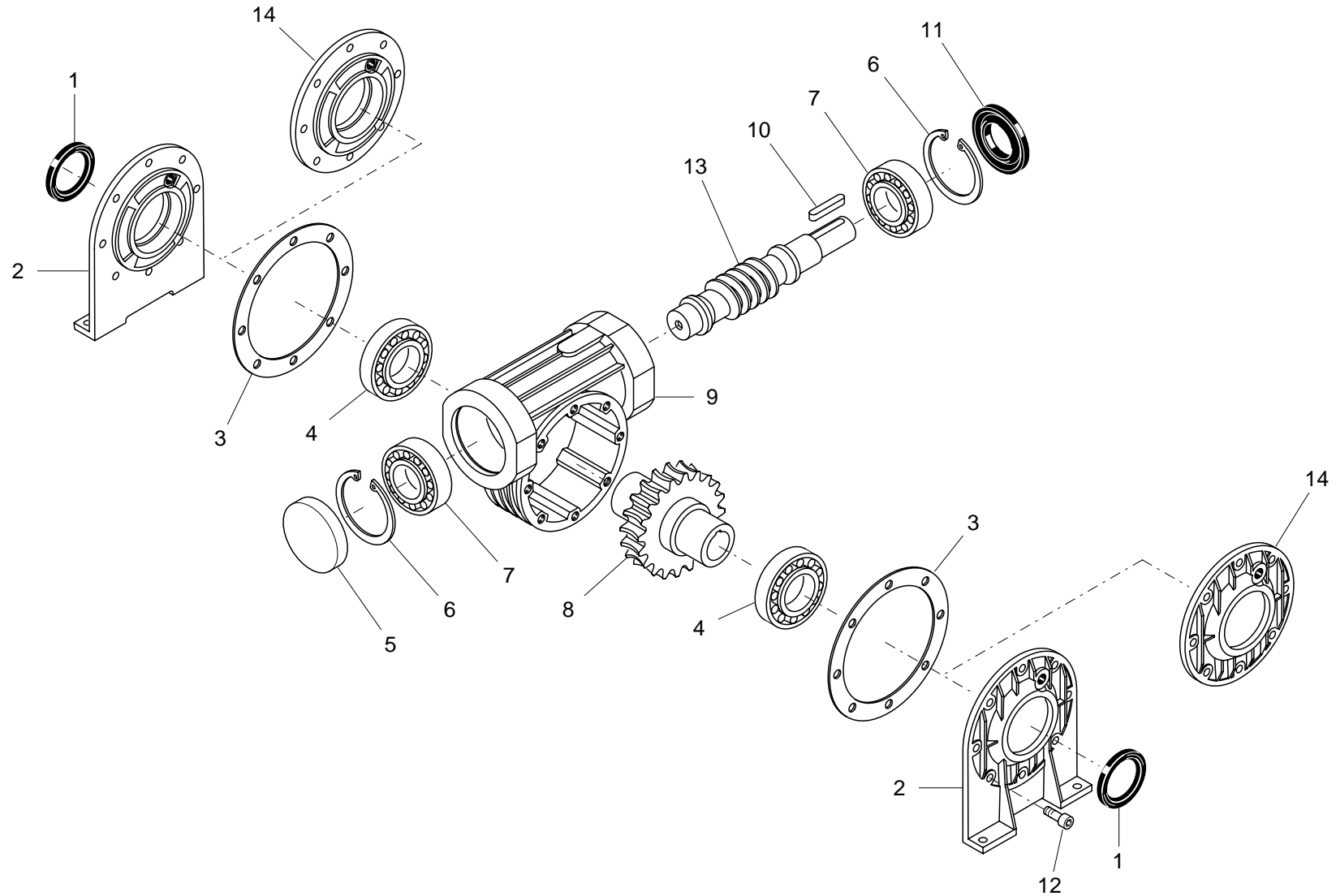
POS.	CODICE	DESCRIZIONE	MAT.	Q.TA'
1	00001513	AN. DI TENUTA 30. 47. 7 BASL		2
2	20058054	PIEDE I40		2
3	20003575	GUARN.ALB.LENTO I-MI 40		2
4	00001206	CUSCINETTO 16006		2
5	00059493	CAPPELLOTTO D.42 S.7		1
6	00001438	ANELLO SEEGER I 42 UNI 7437		1
7	00001250	CUSCINETTO 6004		2
8	20056931	CORONA I-MI40 R1/7.5 ZI		1
8	20056932	CORONA I-MI40 R1/10 ZI		1
8	20046783	CORONA I-MI40 R1/15 ZI		1
8	20046787	CORONA I-MI40 R1/20 ZI		1
8	20056933	CORONA I-MI40 R1/25 ZI		1
8	20056934	CORONA I-MI40 R1/30 ZI		1
8	20073699	CORONA I-MI40 R1/35 ZI		1
8	20056935	CORONA I-MI40 R1/40 ZI		1
8	20056936	CORONA I-MI40 R1/50 ZI		1
8	20046807	CORONA I-MI40 R1/60 ZI		1
8	20056937	CORONA I-MI40 R1/80 ZI		1
8	20046815	CORONA I-MI40 R1/100 ZI		1
9	20061698	NUOVO CORPO I40 MI40		1
10	00001617	LINGUETTA 4. 4.16		1
11	00001497	AN. DI TENUTA 20. 42. 7 BASL		1
12	00001750	VITE T.C.E.I M5 .16		8
13	20062620	NUOVO V.S.F I40 R1/7.5		1
13	20062621	NUOVO V.S.F I40 R1/10		1
13	20062622	NUOVO V.S.F I40 R1/15		1
13	20062623	NUOVO V.S.F I40 R1/20		1
13	20062624	NUOVO V.S.F I40 R1/25		1
13	20062625	NUOVO V.S.F I40 R1/30		1
13	20062626	NUOVO V.S.F I40 R1/40		1
13	20062627	NUOVO V.S.F I40 R1/50		1
13	20062628	NUOVO V.S.F I40 R1/60		1
13	20062629	NUOVO V.S.F I40 R1/80		1
13	20062630	NUOVO V.S.F I40 R1/100		1
14	20058055	FLANGIA PIATTA I40		2

POS.	CODE	DESCRIPTION	MAT.	Q.TY
1	00001513	OIL SEAL 30. 47. 7 BASL		2
2	20058054	FOOT I40		2
3	20003575	GASKET I-MI 40		2
4	00001206	BEARING 16006		2
5	00059493	CAP D.42 S.7		1
6	00001438	SEEGER I 42 UNI 7437		1
7	00001250	BEARING 6004		2
8	20056931	CROWN GEAR I-MI40 R1/7.5 ZI		1
8	20056932	CROWN GEAR I-MI40 R1/10 ZI		1
8	20046783	CROWN GEAR I-MI40 R1/15 ZI		1
8	20046787	CROWN GEAR I-MI40 R1/20 ZI		1
8	20056933	CROWN GEAR I-MI40 R1/25 ZI		1
8	20056934	CROWN GEAR I-MI40 R1/30 ZI		1
8	20073699	CROWN GEAR I-MI40 R1/35 ZI		1
8	20056935	CROWN GEAR I-MI40 R1/40 ZI		1
8	20056936	CROWN GEAR I-MI40 R1/50 ZI		1
8	20046807	CROWN GEAR I-MI40 R1/60 ZI		1
8	20056937	CROWN GEAR I-MI40 R1/80 ZI		1
8	20046815	CROWN GEAR I-MI40 R1/100 ZI		1
9	20061698	BODY I40 MI40		1
10	00001617	KEY 4. 4.16		1
11	00001497	OIL SEAL 20. 42. 7 BASL		1
12	00001750	SCREW T.C.E.I M5 .16		8
13	20062620	WORM SCREW I40 R1/7.5		1
13	20062621	WORM SCREW I40 R1/10		1
13	20062622	WORM SCREW I40 R1/15		1
13	20062623	WORM SCREW I40 R1/20		1
13	20062624	WORM SCREW I40 R1/25		1
13	20062625	WORM SCREW I40 R1/30		1
13	20062626	WORM SCREW I40 R1/40		1
13	20062627	WORM SCREW I40 R1/50		1
13	20062628	WORM SCREW I40 R1/60		1
13	20062629	WORM SCREW I40 R1/80		1
13	20062630	WORM SCREW I40 R1/100		1
14	20058055	FLANGE		2



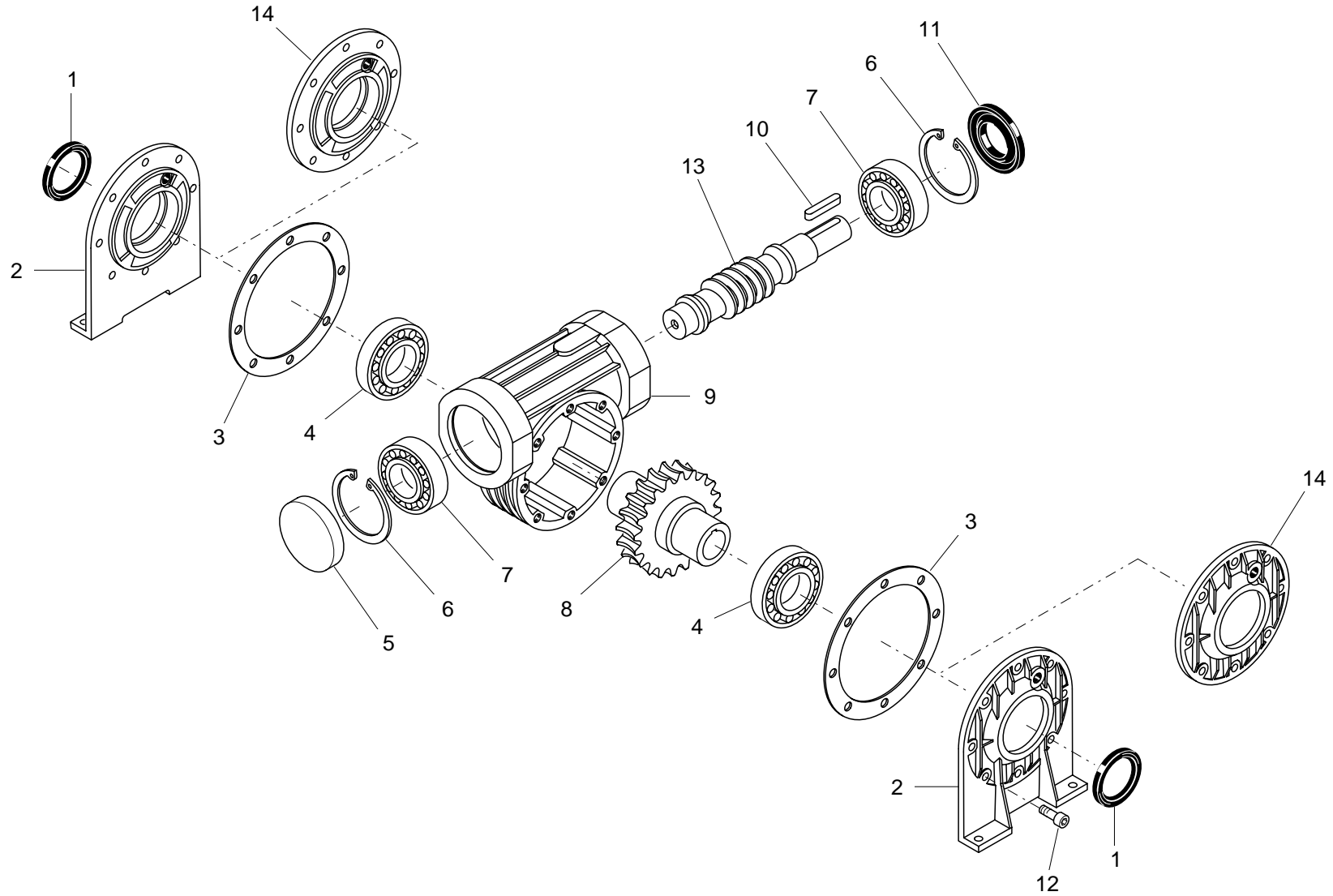
POS.	CODICE	DESCRIZIONE	MAT.	Q.TA'
1	00001523	AN. DI TENUTA 35. 47. 7 BASL		2
2	20058057	PIEDE I50		2
3	20003706	GUARN.ALB.LENTO I-MI 50		2
4	00001207	CUSCINETTO 16007		2
5	00028370	CAPPELLOTTO D.47 S.7		1
6	00001439	ANELLO SEEGER I 47 UNI 7437		2
7	00001211	CUSCINETTO 30204		2
8	20056924	CORONA I-MI50 R1/7.5 ZI		1
8	20046823	CORONA I-MI50 R1/10 ZI		1
8	20056930	CORONA I-MI50 R1/15 ZI		1
8	20056925	CORONA I-MI50 R1/20 ZI		1
8	20056926	CORONA I-MI50 R1/25 ZI		1
8	20056927	CORONA I-MI50 R1/30 ZI		1
8	20046843	CORONA I-MI50 R1/40 ZI		1
8	20056928	CORONA I-MI50 R1/50 ZI		1
8	20046851	CORONA I-MI50 R1/60 ZI		1
8	20046855	CORONA I-MI50 R1/80 ZI		1
8	20056929	CORONA I-MI50 R1/100 ZI		1
9	20061701	NUOVO CORPO I50 MI50		1
10	00001625	LINGUETTA 5. 5.20		1
11	00001498	AN. DI TENUTA 20. 47. 7 BASL		1
12	00001751	VITE T.C.E.I M5 .18		16
13	20062883	NUOVO V.S.F I50 R1/7.5		1
13	20062884	NUOVO V.S.F I50 R1/10		1
13	20062885	NUOVO V.S.F I50 R1/15		1
13	20062886	NUOVO V.S.F I50 R1/20		1
13	20062887	NUOVO V.S.F I50 R1/25		1
13	20062888	NUOVO V.S.F I50 R1/30		1
13	20062889	NUOVO V.S.F I50 R1/40		1
13	20062890	NUOVO V.S.F I50 R1/50		1
13	20062891	NUOVO V.S.F I50 R1/60		1
13	20062892	NUOVO V.S.F I50 R1/80		1
13	20062893	NUOVO V.S.F I50 R1/100		1
14	20058058	FLANGIA PIATTA I50		2

POS.	CODE	DESCRIPTION	MAT.	Q.TY
1	00001523	OIL SEAL 35. 47. 7 BASL		2
2	20058057	FOOT I50		2
3	20003706	GASKET I-MI 50		2
4	00001207	BEARING 16007		2
5	00028370	CAP D.47 S.7		1
6	00001439	SEEGER I 47 UNI 7437		2
7	00001211	BEARING 30204		2
8	20056924	CROWN GEAR I-MI50 R1/7.5 ZI		1
8	20046823	CROWN GEAR I-MI50 R1/10 ZI		1
8	20056930	CROWN GEAR I-MI50 R1/15 ZI		1
8	20056925	CROWN GEAR I-MI50 R1/20 ZI		1
8	20056926	CROWN GEAR I-MI50 R1/25 ZI		1
8	20056927	CROWN GEAR I-MI50 R1/30 ZI		1
8	20046843	CROWN GEAR I-MI50 R1/40 ZI		1
8	20056928	CROWN GEAR I-MI50 R1/50 ZI		1
8	20046851	CROWN GEAR I-MI50 R1/60 ZI		1
8	20046855	CROWN GEAR I-MI50 R1/80 ZI		1
8	20056929	CROWN GEAR I-MI50 R1/100 ZI		1
9	20061701	BODY I50 MI50		1
10	00001625	KEY 5. 5.20		1
11	00001498	OIL SEAL 20. 47. 7 BASL		1
12	00001751	SCREW T.C.E.I M5 .18		16
13	20062883	WORM SCREW I50 R1/7.5		1
13	20062884	WORM SCREW I50 R1/10		1
13	20062885	WORM SCREW I50 R1/15		1
13	20062886	WORM SCREW I50 R1/20		1
13	20062887	WORM SCREW I50 R1/25		1
13	20062888	WORM SCREW I50 R1/30		1
13	20062889	WORM SCREW I50 R1/40		1
13	20062890	WORM SCREW I50 R1/50		1
13	20062891	WORM SCREW I50 R1/60		1
13	20062892	WORM SCREW I50 R1/80		1
13	20062893	WORM SCREW I50 R1/100		1
14	20058058	FLANGE I50		2



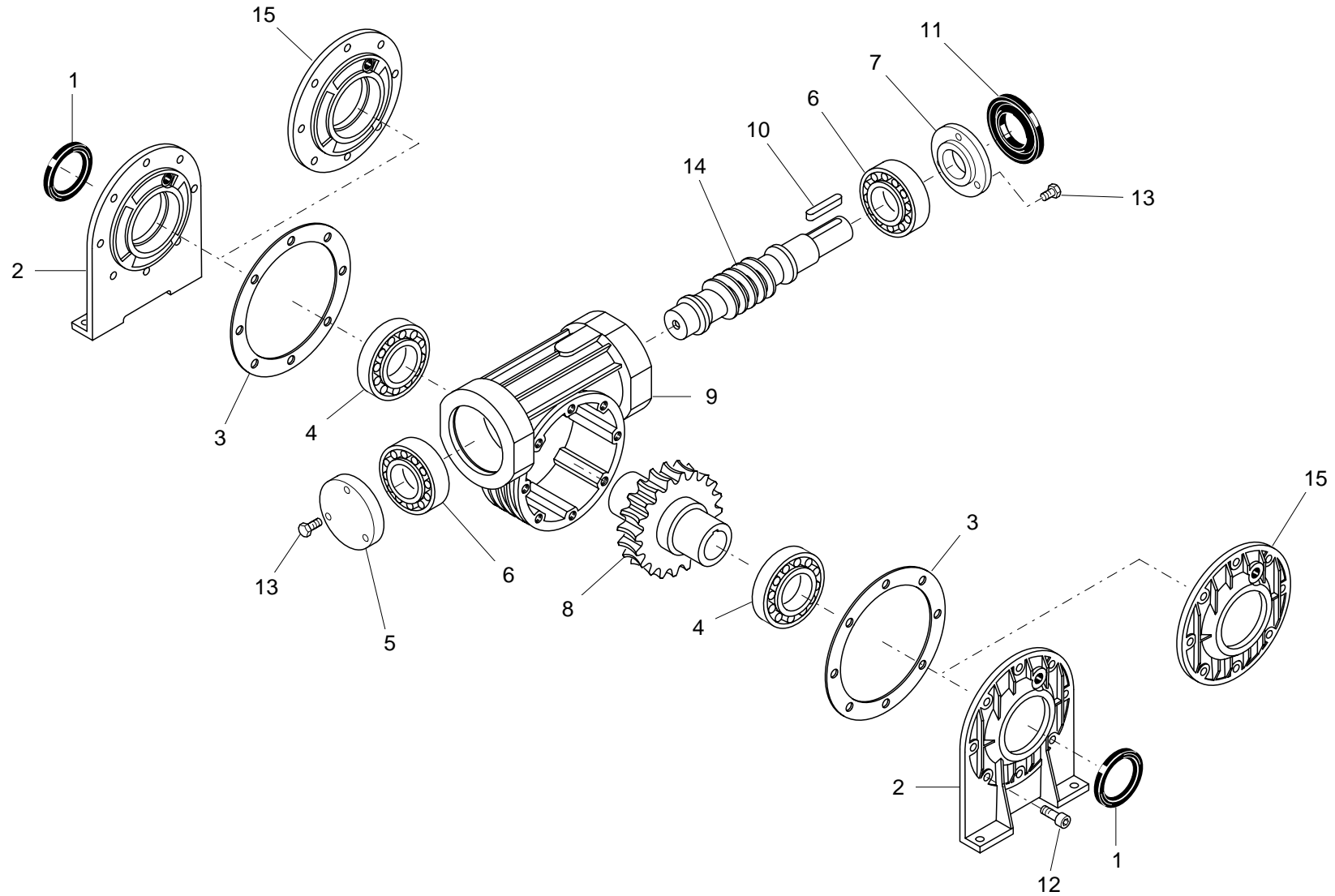
POS.	CODICE	DESCRIZIONE	MAT.	Q.TA'
1	00001532	AN. DI TENUTA 40. 56. 8 BASL		2
2	20061787	PIEDE I60		2
3	20019328	GUARN.ALB.LENTO I-MI 60		2
4	00001255	CUSCINETTO 6008		2
5	00062513	CAPPELLOTTO D.55 S.10		1
6	00001441	ANELLO SEEGER I 55 UNI 7437		1
7	00001226	CUSCINETTO 32006X		2
8	20056921	CORONA I-MI60 R1/7.5 ZI		1
8	20056923	CORONA I-MI60 R1/10 ZI		1
8	20046871	CORONA I-MI60 R1/15 ZI		1
8	20046875	CORONA I-MI60 R1/20 ZI		1
8	20046879	CORONA I-MI60 R1/25 ZI		1
8	20056922	CORONA I-MI60 R1/30 ZI		1
8	20046887	CORONA I-MI60 R1/40 ZI		1
8	20046912	CORONA I-MI60 R1/50 ZI		1
8	20046916	CORONA I-MI60 R1/60 ZI		1
8	20046920	CORONA I-MI60 R1/80 ZI		1
8	20046924	CORONA I-MI60 R1/100 ZI		1
9	20063442	NUOVO CORPO I60 MI60		1
10	00001638	LINGUETTA 6. 6.35		1
11	00001516	AN. DI TENUTA 30. 55. 7 BASL		1
12	00022013	VITE T.C.E.I M6 .18		16
13	20062911	NUOVO V.S.F I60 R1/7.5		1
13	20062912	NUOVO V.S.F I60 R1/10		1
13	20062913	NUOVO V.S.F I60 R1/15		1
13	20062914	NUOVO V.S.F I60 R1/20		1
13	20062915	NUOVO V.S.F I60 R1/25		1
13	20062916	NUOVO V.S.F I60 R1/30		1
13	20062917	NUOVO V.S.F I60 R1/40		1
13	20062918	NUOVO V.S.F I60 R1/50		1
13	20062919	NUOVO V.S.F I60 R1/60		1
13	20062920	NUOVO V.S.F I60 R1/80		1
13	20062921	NUOVO V.S.F I60 R1/100		1
14	20076673	FLANGIA PIATTA I60		2

POS.	CODE	DESCRIPTION	MAT.	Q.TY
1	00001532	OIL SEAL 40. 56. 8 BASL		2
2	20061787	FOOT I60		2
3	20019328	GASKET I-MI 60		2
4	00001255	BEARING 6008		2
5	00062513	CAP D.55 S.10		1
6	00001441	SEEGER I 55 UNI 7437		1
7	00001226	BEARING 32006X		2
8	20056921	CROWN GEAR I-MI60 R1/7.5 ZI		1
8	20056923	CROWN GEAR I-MI60 R1/10 ZI		1
8	20046871	CROWN GEAR I-MI60 R1/15 ZI		1
8	20046875	CROWN GEAR I-MI60 R1/20 ZI		1
8	20046879	CROWN GEAR I-MI60 R1/25 ZI		1
8	20056922	CROWN GEAR I-MI60 R1/30 ZI		1
8	20046887	CROWN GEAR I-MI60 R1/40 ZI		1
8	20046912	CROWN GEAR I-MI60 R1/50 ZI		1
8	20046916	CROWN GEAR I-MI60 R1/60 ZI		1
8	20046920	CROWN GEAR I-MI60 R1/80 ZI		1
8	20046924	CROWN GEAR I-MI60 R1/100 ZI		1
9	20063442	BODY I60 MI60		1
10	00001638	KEY 6. 6.35		1
11	00001516	OIL SEAL 30. 55. 7 BASL		1
12	00022013	SCREW T.C.E.I M6 .18		16
13	20062911	WORM SCREW I60 R1/7.5		1
13	20062912	WORM SCREW I60 R1/10		1
13	20062913	WORM SCREW I60 R1/15		1
13	20062914	WORM SCREW I60 R1/20		1
13	20062915	WORM SCREW I60 R1/25		1
13	20062916	WORM SCREW I60 R1/30		1
13	20062917	WORM SCREW I60 R1/40		1
13	20062918	WORM SCREW I60 R1/50		1
13	20062919	WORM SCREW I60 R1/60		1
13	20062920	WORM SCREW I60 R1/80		1
13	20062921	WORM SCREW I60 R1/100		1
14	20076673	FLANGE I60		2



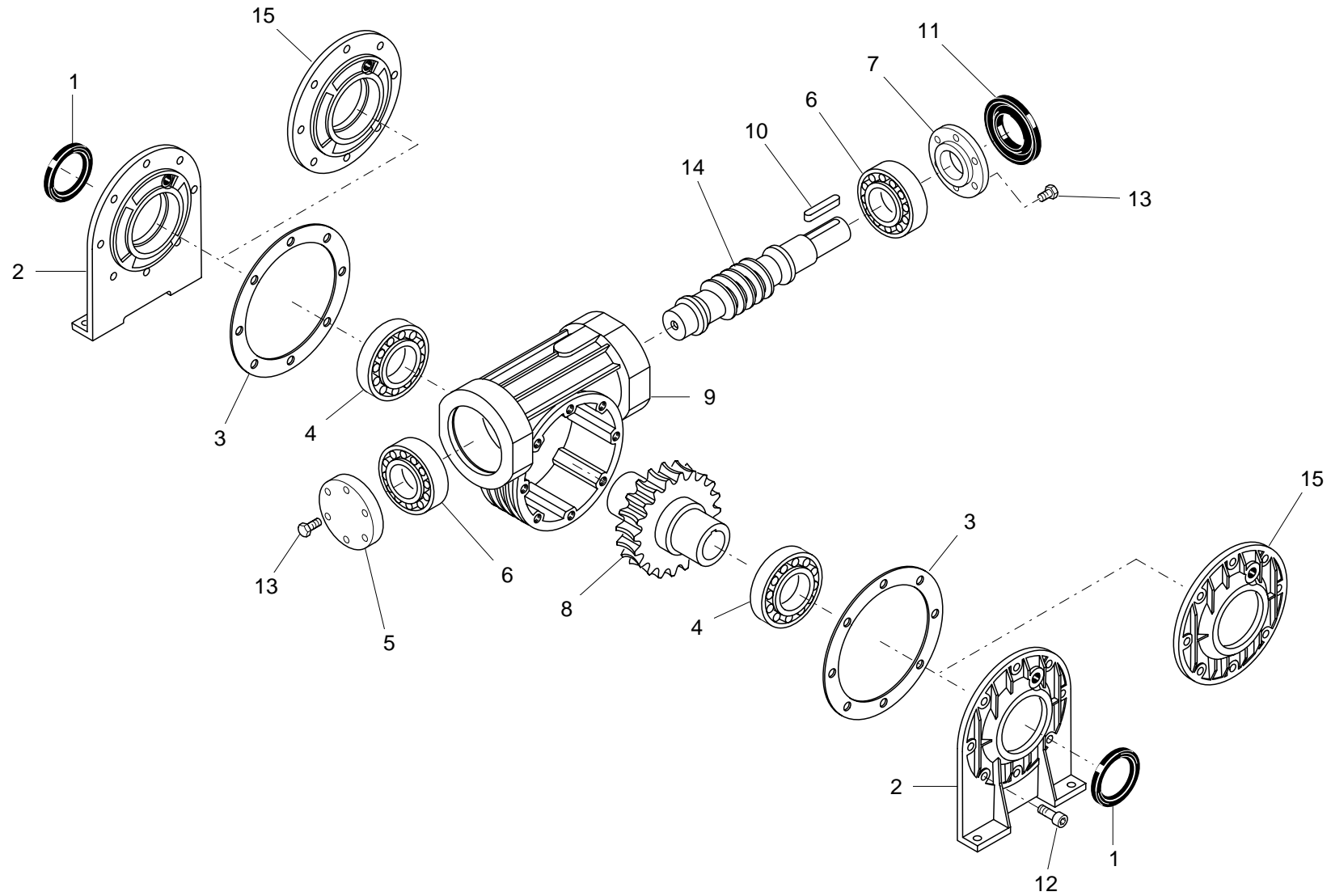
POS.	CODICE	DESCRIZIONE	MAT.	Q.TA'
1	00001543	AN. DI TENUTA 45. 60. 7 BASL		2
2	20062281	PIEDE I70		2
3	20003834	GUARN. ALB. LENTO I-MI 70		2
4	00001256	CUSCINETTO 6009		2
5	00028486	CAPPELLOTTO D.62 S.10		1
6	00001442	ANELLO SEEGER I 62 UNI 7437		2
7	00001219	CUSCINETTO 30305		2
8	20046928	CORONA I-MI70 R1/7.5 ZI		1
8	20046933	CORONA I-MI70 R1/10 ZI		1
8	20056899	CORONA I-MI70 R1/15 ZI		1
8	20056898	CORONA I-MI70 R1/20 ZI		1
8	20046948	CORONA I-MI70 R1/25 ZI		1
8	20046953	CORONA I-MI70 R1/30 ZI		1
8	20056900	CORONA I-MI70 R1/40 ZI		1
8	20046963	CORONA I-MI70 R1/50 ZI		1
8	20046967	CORONA I-MI70 R1/60 ZI		1
8	20056902	CORONA I-MI70 R1/80 ZI		1
8	20056901	CORONA I-MI70 R1/100 ZI		1
9	20060157	NUOVO CORPO I-MI 70		1
10	00001638	LINGUETTA UNI6604 6. 6.35		1
11	00001508	AN. DI TENUTA 25. 62. 10		1
12	00024071	VITE T.C.E.I M8 .20 UNI 5931		16
13	20062939	NUOVO V.S.F I70 R1/7.5		1
13	20062940	NUOVO V.S.F I70 R1/10		1
13	20062941	NUOVO V.S.F I70 R1/15		1
13	20062942	NUOVO V.S.F I70 R1/20		1
13	20062943	NUOVO V.S.F I70 R1/25		1
13	20062944	NUOVO V.S.F I70 R1/30		1
13	20062945	NUOVO V.S.F I70 R1/40		1
13	20062946	NUOVO V.S.F I70 R1/50		1
13	20062947	NUOVO V.S.F I70 R1/60		1
13	20062948	NUOVO V.S.F I70 R1/80		1
13	20062949	NUOVO V.S.F I70 R1/100		1
14	20076059	FLANGIA PIATTA I70		2

POS.	CODE	DESCRIPTION	MAT.	Q.TY
1	00001543	OIL SEAL 45. 60. 7 BASL		2
2	20062281	FOOT I70		2
3	20003834	GASKET I-MI 70		2
4	00001256	BEARING 6009		2
5	00028486	CAP D.62 S.10		1
6	00001442	SEEGER I 62 UNI 7437		2
7	00001219	BEARING 30305		2
8	20046928	CROWN GEAR I-MI70 R1/7.5 ZI		1
8	20046933	CROWN GEAR I-MI70 R1/10 ZI		1
8	20056899	CROWN GEAR I-MI70 R1/15 ZI		1
8	20056898	CROWN GEAR I-MI70 R1/20 ZI		1
8	20046948	CROWN GEAR I-MI70 R1/25 ZI		1
8	20046953	CROWN GEAR I-MI70 R1/30 ZI		1
8	20056900	CROWN GEAR I-MI70 R1/40 ZI		1
8	20046963	CROWN GEAR I-MI70 R1/50 ZI		1
8	20046967	CROWN GEAR I-MI70 R1/60 ZI		1
8	20056902	CROWN GEAR I-MI70 R1/80 ZI		1
8	20056901	CROWN GEAR I-MI70 R1/100 ZI		1
9	20060157	BODY I-MI 70		1
10	00001638	KEY UNI6604 6. 6.35		1
11	00001508	OIL SEAL 25. 62. 10		1
12	00024071	SCREW T.C.E.I M8 .20 UNI 5931		16
13	20062939	WORM SCREW I70 R1/7.5		1
13	20062940	WORM SCREW I70 R1/10		1
13	20062941	WORM SCREW I70 R1/15		1
13	20062942	WORM SCREW I70 R1/20		1
13	20062943	WORM SCREW I70 R1/25		1
13	20062944	WORM SCREW I70 R1/30		1
13	20062945	WORM SCREW I70 R1/40		1
13	20062946	WORM SCREW I70 R1/50		1
13	20062947	WORM SCREW I70 R1/60		1
13	20062948	WORM SCREW I70 R1/80		1
13	20062949	WORM SCREW I70 R1/100		1
14	20076059	FLANGE I70		2



POS.	CODICE	DESCRIZIONE	MAT.	Q.TA'
1	00021681	AN. DI TENUTA 50. 65. 8 BASL		2
2	20019331	PIEDE I80		2
3	20019387	GUARN.ALB.LENTO I-MI 80		2
4	00021683	CUSCINETTO 6010		2
5	20019333	COPERCHIO CHIUSO I80		1
6	00001219	CUSCINETTO 30305		2
7	20019332	COPERCHIO APERTO I80		1
8	20067858	CORONA I-MI80 R1/7.5 ZI		1
8	20067859	CORONA I-MI80 R1/10 ZI		1
8	20067860	CORONA I-MI80 R1/15 ZI		1
8	20067861	CORONA I-MI80 R1/20 ZI		1
8	20067862	CORONA I-MI80 R1/25 ZI		1
8	20067863	CORONA I-MI80 R1/30 ZI		1
8	20067864	CORONA I-MI80 R1/40 ZI		1
8	20067865	CORONA I-MI80 R1/50 ZI		1
8	20067866	CORONA I-MI80 R1/60 ZI		1
8	20067867	CORONA I-MI80 R1/80 ZI		1
8	20067868	CORONA I-MI80 R1/100 ZI		1
9	20019330	CORPO I80		1
10	00001651	LINGUETTA 8. 7.40		1
11	00001502	AN. DI TENUTA 25. 40. 7 BASL		1
12	00001729	VITE T.E M8. 20		16
13	00001720	VITE T.E M6. 18		6
14	20067798	V.S.F I80 R1/7.5 ZI		1
14	20067800	V.S.F I80 R1/10 ZI		1
14	20067802	V.S.F I80 R1/15 ZI		1
14	20067804	V.S.F I80 R1/20 ZI		1
14	20067806	V.S.F I80 R1/25 ZI		1
14	20067808	V.S.F I80 R1/30 ZI		1
14	20067810	V.S.F I80 R1/40 ZI		1
14	20067812	V.S.F I80 R1/50 ZI		1
14	20067814	V.S.F I80 R1/60 ZI		1
14	20067816	V.S.F I80 R1/80 ZI		1
14	20067818	V.S.F I80 R1/100 ZI		1
15	20019386	FLANGIA PIATTA I80		2

POS.	CODE	DESCRIPTION	MAT.	Q.TY
1	00021681	OIL SEAL 50. 65. 8 BASL		2
2	20019331	FOOT I80		2
3	20019387	GASKET I-MI 80		2
4	00021683	BEARING 6010		2
5	20019333	COVER I80		1
6	00001219	BEARING 30305		2
7	20019332	COVER I80		1
8	20067858	CROWN GEAR I-MI80 R1/7.5 ZI		1
8	20067859	CROWN GEAR I-MI80 R1/10 ZI		1
8	20067860	CROWN GEAR I-MI80 R1/15 ZI		1
8	20067861	CROWN GEAR I-MI80 R1/20 ZI		1
8	20067862	CROWN GEAR I-MI80 R1/25 ZI		1
8	20067863	CROWN GEAR I-MI80 R1/30 ZI		1
8	20067864	CROWN GEAR I-MI80 R1/40 ZI		1
8	20067865	CROWN GEAR I-MI80 R1/50 ZI		1
8	20067866	CROWN GEAR I-MI80 R1/60 ZI		1
8	20067867	CROWN GEAR I-MI80 R1/80 ZI		1
8	20067868	CROWN GEAR I-MI80 R1/100 ZI		1
9	20019330	BODY I80		1
10	00001651	KEY 8. 7.40		1
11	00001502	OIL SEAL 25. 40. 7 BASL		1
12	00001729	SCREW T.E M8. 20		16
13	00001720	SCREW T.E M6. 18		6
14	20067798	WORM SCREW I80 R1/7.5 ZI		1
14	20067800	WORM SCREW I80 R1/10 ZI		1
14	20067802	WORM SCREW I80 R1/15 ZI		1
14	20067804	WORM SCREW I80 R1/20 ZI		1
14	20067806	WORM SCREW I80 R1/25 ZI		1
14	20067808	WORM SCREW I80 R1/30 ZI		1
14	20067810	WORM SCREW I80 R1/40 ZI		1
14	20067812	WORM SCREW I80 R1/50 ZI		1
14	20067814	WORM SCREW I80 R1/60 ZI		1
14	20067816	WORM SCREW I80 R1/80 ZI		1
14	20067818	WORM SCREW I80 R1/100 ZI		1
15	20019386	FLANGE I80		2

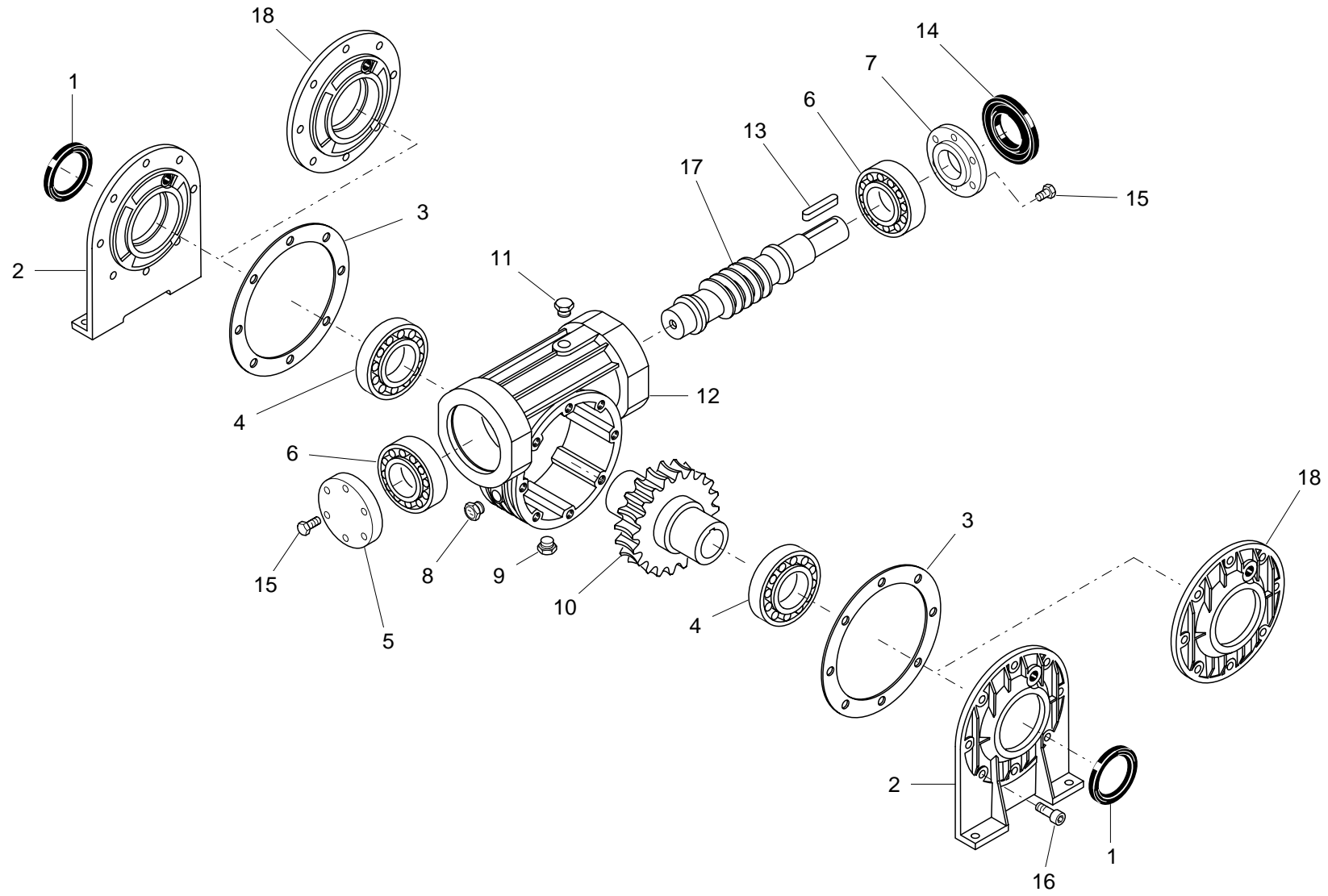


POS.	CODICE	DESCRIZIONE	MAT.	Q.TA'
1	00001555	AN. DI TENUTA 55. 72. 10 BASL		2
2	20003928	PIEDE I90		2
3	20003954	GUARN.ALB. LENTO I-MI 90		2
4	00001257	CUSCINETTO 6011		2
5	20003941	COPERCHIO CHIUSO I90		1
6	00001220	CUSCINETTO 30306		2
7	20003942	COPERCHIO APERTO I90		1
8	20003904	CORONA I90 R1/7.5		1
8	20003905	CORONA I90 R1/10		1
8	20003908	CORONA I90 R1/15		1
8	20003909	CORONA I90 R1/20		1
8	20003910	CORONA I90 R1/25		1
8	20003911	CORONA I90 R1/30		1
8	20003913	CORONA I90 R1/40		1
8	20003918	CORONA I90 R1/50		1
8	20003921	CORONA I90 R1/60		1
8	20041533	CORONA I90 R1/70		1
8	20003922	CORONA I90 R1/80		1
8	20003925	CORONA I90 R1/100		1
9	20003927	CORPO I90		1
10	00001651	LINGUETTA 8. 7.40		1
11	00001517	AN. DI TENUTA 30. 60. 10		1
12	00001729	VITE T.E M8 .20		16
13	00001719	VITE T.E M6 .16		12
14	20003840	V.S.F I90 R1/7.5		1
14	20003883	V.S.F I90 R1/7.5 F.24		1
14	20038188	V.S.F I90 R1/7.5 F.28		1
14	20003842	V.S.F I90 R1/10		1
14	20003885	V.S.F I90 R1/10 F.24		1
14	20038189	V.S.F I90 R1/10 F.28		1
14	20003845	V.S.F I90 R1/15		1
14	20003887	V.S.F I90 R1/15 F.24		1
14	20038190	V.S.F I90 R1/15 F.28		1
14	20003848	V.S.F I90 R1/20		1
14	20003889	V.S.F I90 R1/20 F.24		1
14	20038191	V.S.F I90 R1/20 F.28		1
14	20003850	V.S.F I90 R1/25		1

POS.	CODICE	DESCRIZIONE	MAT.	Q.TA'
14	20003891	V.S.F I90 R1/25 F.24		1
14	20038192	V.S.F I90 R1/25 F.28		1
14	20003852	V.S.F I90 R1/30		1
14	20003893	V.S.F I90 R1/30 F.24		1
14	20038193	V.S.F I90 R1/30 F.28		1
14	20003855	V.S.F I90 R1/40		1
14	20003894	V.S.F I90 R1/40 F.24		1
14	20061511	V.S.F I90 R1/40 F.28		1
14	20003860	V.S.F I90 R1/50		1
14	20003896	V.S.F I90 R1/50 F.24		1
14	20003864	V.S.F I90 R1/60		1
14	20003878	V.S.F I90 R1/60 F.19		1
14	20003898	V.S.F I90 R1/60 F.24		1
14	20041534	V.S.F I90 R1/70		1
14	20003866	V.S.F I90 R1/80		1
14	20003879	V.S.F I90 R1/80 F.19		1
14	20003900	V.S.F I90 R1/80 F.24		1
14	20003867	V.S.F I90 R1/100		1
14	20003881	V.S.F I90 R1/100 F.19		1
14	20003902	V.S.F I90 R1/100 F.24		1
15	20022387	FLANGIA PIATTA I90		2

POS.	CODE	DESCRIPTION	MAT.	Q.TY
1	00001555	OIL SEAL 55. 72. 10 BASL		2
2	20003928	FOOT I90		2
3	20003954	GASKET I-MI 90		2
4	00001257	BEARING 6011		2
5	20003941	COVER I90		1
6	00001220	BEARING 30306		2
7	20003942	COVER I90		1
8	20003904	CROWN GEAR I90 R1/7.5		1
8	20003905	CROWN GEAR I90 R1/10		1
8	20003908	CROWN GEAR I90 R1/15		1
8	20003909	CROWN GEAR I90 R1/20		1
8	20003910	CROWN GEAR I90 R1/25		1
8	20003911	CROWN GEAR I90 R1/30		1
8	20003913	CROWN GEAR I90 R1/40		1
8	20003918	CROWN GEAR I90 R1/50		1
8	20003921	CROWN GEAR I90 R1/60		1
8	20041533	CROWN GEAR I90 R1/70		1
8	20003922	CROWN GEAR I90 R1/80		1
8	20003925	CROWN GEAR I90 R1/100		1
9	20003927	BODY I90		1
10	00001651	KEY 8. 7.40		1
11	00001517	OIL SEAL 30. 60. 10		1
12	00001729	SCREW T.E M8 .20		16
13	00001719	SCREW T.E M6 .16		12
14	20003840	WORM SCREW I90 R1/7.5		1
14	20003883	WORM SCREW I90 R1/7.5 F.24		1
14	20038188	WORM SCREW I90 R1/7.5 F.28		1
14	20003842	WORM SCREW I90 R1/10		1
14	20003885	WORM SCREW I90 R1/10 F.24		1
14	20038189	WORM SCREW I90 R1/10 F.28		1
14	20003845	WORM SCREW I90 R1/15		1
14	20003887	WORM SCREW I90 R1/15 F.24		1
14	20038190	WORM SCREW I90 R1/15 F.28		1
14	20003848	WORM SCREW I90 R1/20		1
14	20003889	WORM SCREW I90 R1/20 F.24		1
14	20038191	WORM SCREW I90 R1/20 F.28		1
14	20003850	WORM SCREW I90 R1/25		1

POS.	CODE	DESCRIPTION	MAT.	Q.TY
14	20003891	WORM SCREW I90 R1/25 F.24		1
14	20038192	WORM SCREW I90 R1/25 F.28		1
14	20003852	WORM SCREW I90 R1/30		1
14	20003893	WORM SCREW I90 R1/30 F.24		1
14	20038193	WORM SCREW I90 R1/30 F.28		1
14	20003855	WORM SCREW I90 R1/40		1
14	20003894	WORM SCREW I90 R1/40 F.24		1
14	20061511	WORM SCREW I90 R1/40 F.28		1
14	20003860	WORM SCREW I90 R1/50		1
14	20003896	WORM SCREW I90 R1/50 F.24		1
14	20003864	WORM SCREW I90 R1/60		1
14	20003878	WORM SCREW I90 R1/60 F.19		1
14	20003898	WORM SCREW I90 R1/60 F.24		1
14	20041534	WORM SCREW I90 R1/70		1
14	20003866	WORM SCREW I90 R1/80		1
14	20003879	WORM SCREW I90 R1/80 F.19		1
14	20003900	WORM SCREW I90 R1/80 F.24		1
14	20003867	WORM SCREW I90 R1/100		1
14	20003881	WORM SCREW I90 R1/100 F.19		1
14	20003902	WORM SCREW I90 R1/100 F.24		1
15	20022387	FLANGE I90		2

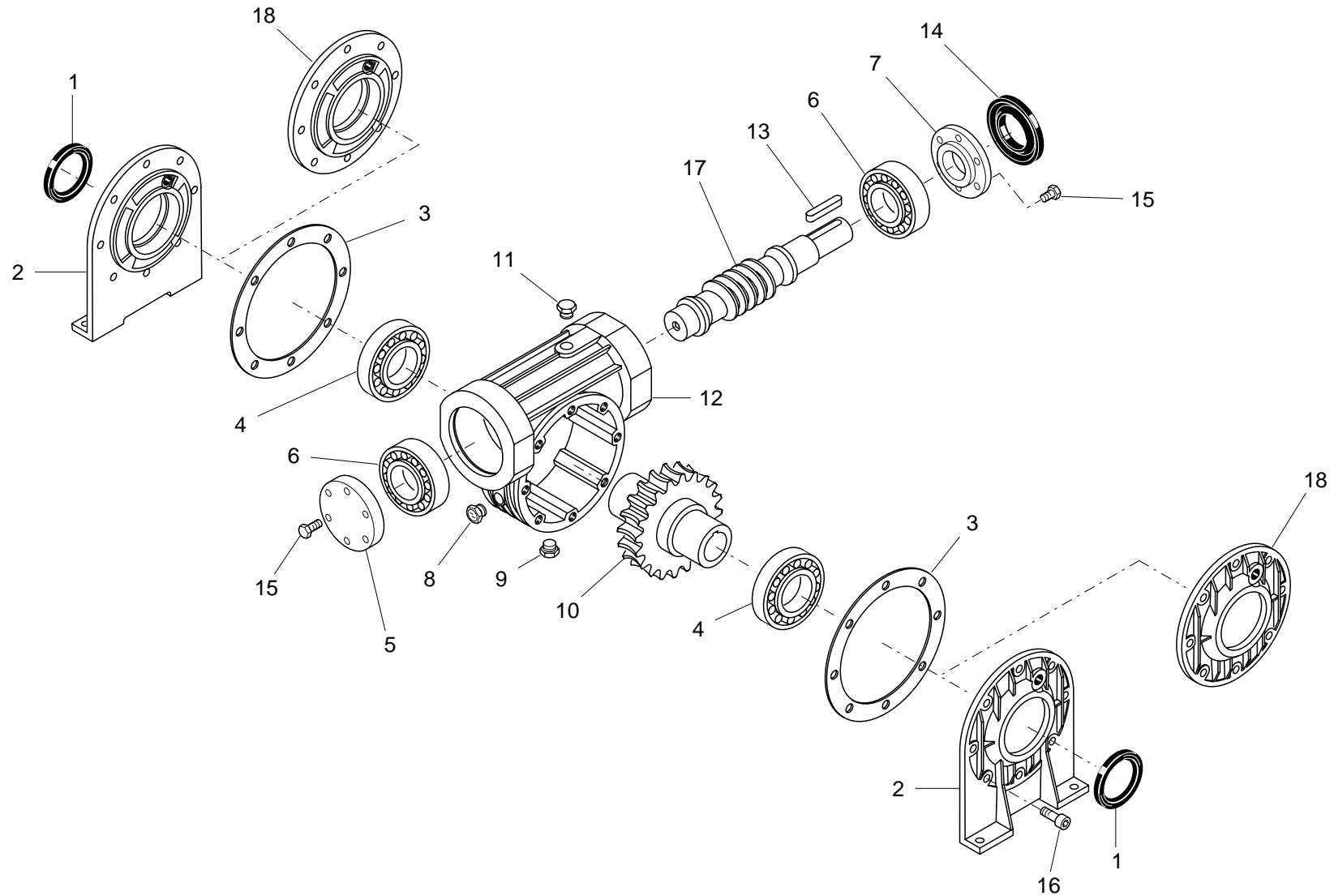


POS.	CODICE	DESCRIZIONE	MAT.	Q.TA'
1	00001563	AN. DI TENUTA 60. 80. 10 BASL		2
2	20004044	PIEDE I110		2
3	20004065	GUARN.ALB. LENTO I-MI 110		2
4	00001258	CUSCINETTO 6012		2
5	20004054	COPERCHIO CHIUSO I110		1
6	00001221	CUSCINETTO 30307		2
7	20004055	COPERCHIO APERTO I110		1
8	00043064	TAPPO LIVELLO OLIO 1/2 GAS		1
9	00036151	TAPPO CHIUSO SCARICO 1/2 GAS		1
10	20004022	CORONA I110 R1/7.5		1
10	20004024	CORONA I110 R1/10		1
10	20004026	CORONA I110 R1/15		1
10	20004028	CORONA I110 R1/20		1
10	20004029	CORONA I110 R1/25		1
10	20004032	CORONA I110 R1/30		1
10	20004033	CORONA I110 R1/40		1
10	20004035	CORONA I110 R1/50		1
10	20034342	CORONA I110 R1/60		1
10	20077970	CORONA I110 R1/80		1
10	20076061	CORONA I110 R1/100 ZI		1
11	00076967	TAPPO SFIATO VALVOLA 1/2		1
12	20004043	CORPO I110		1
13	00001651	LINGUETTA 8. 7.40		1
14	00001529	AN. DI TENUTA 35. 72. 10		1
15	00001719	VITE T.E. M6 .16 UNI 5739		12
16	00001681	VITE T.E. M10 . 25		16
17	20003961	V.S.F I110 R1/7.5		1
17	20004003	V.S.F I110 R1/7.5 F.28		1
17	20003963	V.S.F I110 R1/10		1
17	20004004	V.S.F I110 R1/10 F.28		1
17	20086990	NUOVO V.S.F I110 R1/15		1
17	20086992	NUOVO V.S.F I110 R1/15 F.28		1
17	20086991	NUOVO V.S.F I110 R1/15 ZI F.24		1
17	20003965	V.S.F I110 R1/15		1
17	20082165	V.S.F I110 R1/15 F.24		1
17	20004005	V.S.F I110 R1/15 F.28		1
17	20003967	V.S.F I110 R1/20		1

POS.	CODICE	DESCRIZIONE	MAT.	Q.TA'
17	20004007	V.S.F I110 R1/20 F.28		1
17	20003970	V.S.F I110 R1/25		1
17	20004009	V.S.F I110 R1/25 F.28		1
17	20003975	V.S.F I110 R1/30		1
17	20082161	V.S.F I110 R1/30 F.24		1
17	20004011	V.S.F I110 R1/30 F.28		1
17	20003977	V.S.F I110 R1/40		1
17	20004012	V.S.F I110 R1/40 F.28		1
17	20003980	V.S.F I110 R1/50		1
17	20003996	V.S.F I110 R1/50 F.24		1
17	20004013	V.S.F I110 R1/50 F.28		1
17	20034344	V.S.F I110 R1/60 F.24 DIS.84408		1
17	20034345	V.S.F I110 R1/60 F.28 DIS.84409		1
17	20077972	V.S.F I110 R1/80 F.24 ZI		1
17	20077973	V.S.F I110 R1/80 F.28 ZI		1
17	20077971	V.S.F I110 R1/80 ZI		1
17	20076060	V.S.F I110 R1/100 F.24 ZI		1
17	20076520	V.S.F I110 R1/100 F.28 ZI		1
17	20076523	V.S.F I110 R1/100 ZI		1
18	20022458	FLANGIA PIATTA I110		2

POS.	CODE	DESCRIPTION	MAT.	Q.TY
1	00001563	OIL SEAL 60. 80. 10 BASL		2
2	20004044	FOOT I110		2
3	20004065	GASKET I-MI 110		2
4	00001258	BEARING 6012		2
5	20004054	COVER I110		1
6	00001221	BEARING 30307		2
7	20004055	COVER I110		1
8	00043064	PLUG 1/2 GAS		1
9	00036151	PLUG 1/2 GAS		1
10	20004022	CROWN GEAR I110 R1/7.5		1
10	20004024	CROWN GEAR I110 R1/10		1
10	20004026	CROWN GEAR I110 R1/15		1
10	20004028	CROWN GEAR I110 R1/20		1
10	20004029	CROWN GEAR I110 R1/25		1
10	20004032	CROWN GEAR I110 R1/30		1
10	20004033	CROWN GEAR I110 R1/40		1
10	20004035	CROWN GEAR I110 R1/50		1
10	20034342	CROWN GEAR I110 R1/60		1
10	20077970	CROWN GEAR I110 R1/80		1
10	20076061	CROWN GEAR I110 R1/100 ZI		1
11	00076967	PLUG 1/2		1
12	20004043	BODY I110		1
13	00001651	KEY 8. 7.40		1
14	00001529	OIL SEAL 35. 72. 10		1
15	00001719	SCREW T.E. M6 .16 UNI 5739		12
16	00001681	SCREW T.E. M10 .25		16
17	20003961	WORM SCREW I110 R1/7.5		1
17	20004003	WORM SCREW I110 R1/7.5 F.28		1
17	20003963	WORM SCREW I110 R1/10		1
17	20004004	WORM SCREW I110 R1/10 F.28		1
17	20003965	WORM SCREW I110 R1/15		1
17	20082165	WORM SCREW I110 R1/15 F.24		1
17	20004005	WORM SCREW I110 R1/15 F.28		1
17	20003967	WORM SCREW I110 R1/20		1
17	20004007	WORM SCREW I110 R1/20 F.28		1
17	20003970	WORM SCREW I110 R1/25		1
17	20004009	WORM SCREW I110 R1/25 F.28		1

POS.	CODE	DESCRIPTION	MAT.	Q.TY
17	20003975	WORM SCREW I110 R1/30		1
17	20082161	WORM SCREW I110 R1/30 F.24		1
17	20004011	WORM SCREW I110 R1/30 F.28		1
17	20003977	WORM SCREW I110 R1/40		1
17	20004012	WORM SCREW I110 R1/40 F.28		1
17	20003980	WORM SCREW I110 R1/50		1
17	20003996	WORM SCREW I110 R1/50 F.24		1
17	20004013	WORM SCREW I110 R1/50 F.28		1
17	20034344	WORM SCREW I110 R1/60 F.24 DIS.84408		1
17	20034345	WORM SCREW I110 R1/60 F.28 DIS.84409		1
17	20077972	WORM SCREW I110 R1/80 F.24 ZI		1
17	20077973	WORM SCREW I110 R1/80 F.28 ZI		1
17	20077971	WORM SCREW I110 R1/80 ZI		1
17	20076060	WORM SCREW I110 R1/100 F.24 ZI		1
17	20076520	WORM SCREW I110 R1/100 F.28 ZI		1
17	20076523	WORM SCREW I110 R1/100 ZI		1
17	20086990	WORM SCREW I110 R1/15		1
17	20086992	WORM SCREW I110 R1/15 F.28		1
17	20086991	WORM SCREW I110 R1/15 ZI F.24		1
18	20022458	FLANGE I110		2

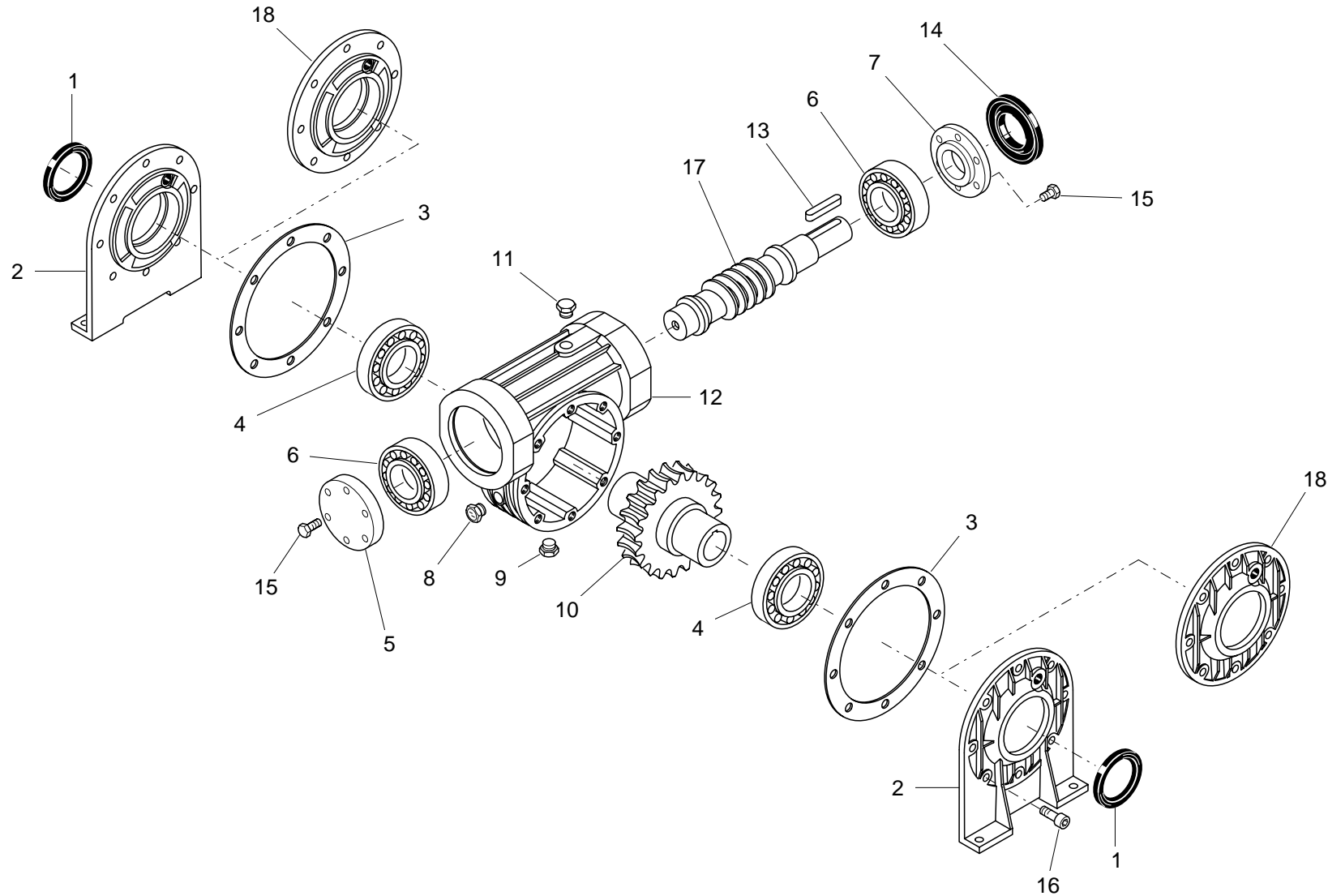


POS.	CODICE	DESCRIZIONE	MAT.	Q.TA'
1	00001566	AN. DI TENUTA 70. 90. 10 BASL		2
2	20004131	PIEDE I130		2
3	20004144	GUARN.ALB.LENTO I-MI130		2
4	00001259	CUSCINETTO 6014		2
5	20004138	COPERCHIO CHIUSO I130		1
6	00001237	CUSCINETTO 32209		2
7	20004139	COPERCHIO APERTO I130		1
8	00043064	TAPPO LIVELLO OLIO 1/2 GAS (CH.27)		1
9	00036151	TAPPO CHIUSO SCARICO 1/2 GAS AVP + ETICH		1
10	20004119	CORONA I130 R1/7.5		1
10	20004120	CORONA I130 R1/10		1
10	20004121	CORONA I130 R1/15		1
10	20004122	CORONA I130 R1/20		1
10	20004123	CORONA I130 R1/25		1
10	20004124	CORONA I130 R1/30		1
10	20004125	CORONA I130 R1/40		1
10	20004126	CORONA I130 R1/50		1
10	20004127	CORONA I130 R1/60		1
10	20004128	CORONA I130 R1/80		1
10	20004129	CORONA I130 R1/100		1
10	20077974	CORONA I130 R1/100 ZI		1
10	20047145	CORONA I-MI130 R1/50		1
10	20047149	CORONA I-MI130 R1/60		1
11	00076967	TAPPO SFIATO VALVOLA 1/2		1
12	20004130	CORPO I130		1
13	00001583	LINGUETTA 10. 8.60		1
14	00001549	AN. DI TENUTA 45. 72. 10		1
15	00001720	VITE T.E. M6. 18		12
16	00001681	VITE T.E. M10. 25		16
17	20004073	V.S.F I130 R1/7.5		1
17	20004105	V.S.F I130 R1/7.5 F.28		1
17	20088629	V.S.F I130 R1/7.5 F.38		1
17	20004075	V.S.F I130 R1/10		1
17	20004106	V.S.F I130 R1/10 F.28		1
17	20088626	V.S.F I130 R1/10 F.38		1
17	20004077	V.S.F I130 R1/15		1
17	20004107	V.S.F I130 R1/15 F.28		1

POS.	CODICE	DESCRIZIONE	MAT.	Q.TA'
17	20087185	V.S.F I130 R1/15 F.38		1
17	20004079	V.S.F I130 R1/20		1
17	20004108	V.S.F I130 R1/20 F.28		1
17	20079588	V.S.F I130 R1/20 F.38		1
17	20004081	V.S.F I130 R1/25		1
17	20004109	V.S.F I130 R1/25 F.28		1
17	20079589	V.S.F I130 R1/25 F.38		1
17	20004082	V.S.F I130 R1/30		1
17	20004110	V.S.F I130 R1/30 F.28		1
17	20079590	V.S.F I130 R1/30 F.38		1
17	20004084	V.S.F I130 R1/40		1
17	20004112	V.S.F I130 R1/40 F.28		1
17	20079591	V.S.F I130 R1/40 F.38		1
17	20004086	V.S.F I130 R1/50		1
17	20004114	V.S.F I130 R1/50 F.28		1
17	20004088	V.S.F I130 R1/60		1
17	20004115	V.S.F I130 R1/60 F.28		1
17	20078675	V.S.F I130 R1/80 F.24 ZI		1
17	20078673	V.S.F I130 R1/80 F.28 ZI		1
17	20078674	V.S.F I130 R1/80 ZI		1
17	20077976	V.S.F I130 R1/100 F.24 ZI		1
17	20077977	V.S.F I130 R1/100 F.28 ZI		1
17	20077975	V.S.F I130 R1/100 ZI		1
18	20025177	FLANGIA PIATTA I130		2

POS.	CODE	DESCRIPTION	MAT.	Q.TY
1	00001566	OIL SEAL 70. 90. 10 BASL		2
2	20004131	FOOT I130		2
3	20004144	GASKET I-MI130		2
4	00001259	BEARING 6014		2
5	20004138	COVER I130		1
6	00001237	BEARING 32209		2
7	20004139	COVER I130		1
8	00043064	PLUG 1/2 GAS (CH.27)		1
9	00036151	PLUG 1/2 GAS AVP + ETICH		1
10	20004119	CROWN GEAR I130 R1/7.5		1
10	20004120	CROWN GEAR I130 R1/10		1
10	20004121	CROWN GEAR I130 R1/15		1
10	20004122	CROWN GEAR I130 R1/20		1
10	20004123	CROWN GEAR I130 R1/25		1
10	20004124	CROWN GEAR I130 R1/30		1
10	20004125	CROWN GEAR I130 R1/40		1
10	20004126	CROWN GEAR I130 R1/50		1
10	20004127	CROWN GEAR I130 R1/60		1
10	20004128	CROWN GEAR I130 R1/80		1
10	20004129	CROWN GEAR I130 R1/100		1
10	20077974	CROWN GEAR I130 R1/100 ZI		1
10	20047145	CROWN GEAR I-MI130 R1/50		1
10	20047149	CROWN GEAR I-MI130 R1/60		1
11	00076967	PLUG 1/2		1
12	20004130	BODY I130		1
13	00001583	KEY 10. 8.60		1
14	00001549	OIL SEAL 45. 72. 10		1
15	00001720	SCREW T.E. M6. 18		12
16	00001681	SCREW T.E. M10. 25		16
17	20004073	WORM SCREW I130 R1/7.5		1
17	20004105	WORM SCREW I130 R1/7.5 F.28		1
17	20088629	WORM SCREW I130 R1/7.5 F.38		1
17	20004075	WORM SCREW I130 R1/10		1
17	20004106	WORM SCREW I130 R1/10 F.28		1
17	20088626	WORM SCREW I130 R1/10 F.38		1
17	20004077	WORM SCREW I130 R1/15		1
17	20004107	WORM SCREW I130 R1/15 F.28		1

POS.	CODE	DESCRIPTION	MAT.	Q.TY
17	20087185	WORM SCREW I130 R1/15 F.38		1
17	20004079	WORM SCREW I130 R1/20		1
17	20004108	WORM SCREW I130 R1/20 F.28		1
17	20079588	WORM SCREW I130 R1/20 F.38		1
17	20004081	WORM SCREW I130 R1/25		1
17	20004109	WORM SCREW I130 R1/25 F.28		1
17	20079589	WORM SCREW I130 R1/25 F.38		1
17	20004082	WORM SCREW I130 R1/30		1
17	20004110	WORM SCREW I130 R1/30 F.28		1
17	20079590	WORM SCREW I130 R1/30 F.38		1
17	20004084	WORM SCREW I130 R1/40		1
17	20004112	WORM SCREW I130 R1/40 F.28		1
17	20079591	WORM SCREW I130 R1/40 F.38		1
17	20004086	WORM SCREW I130 R1/50		1
17	20004114	WORM SCREW I130 R1/50 F.28		1
17	20004088	WORM SCREW I130 R1/60		1
17	20004115	WORM SCREW I130 R1/60 F.28		1
17	20078675	WORM SCREW I130 R1/80 F.24 ZI		1
17	20078673	WORM SCREW I130 R1/80 F.28 ZI		1
17	20078674	WORM SCREW I130 R1/80 ZI		1
17	20077976	WORM SCREW I130 R1/100 F.24 ZI		1
17	20077977	WORM SCREW I130 R1/100 F.28 ZI		1
17	20077975	WORM SCREW I130 R1/100 ZI		1
18	20025177	FLANGE I130		2

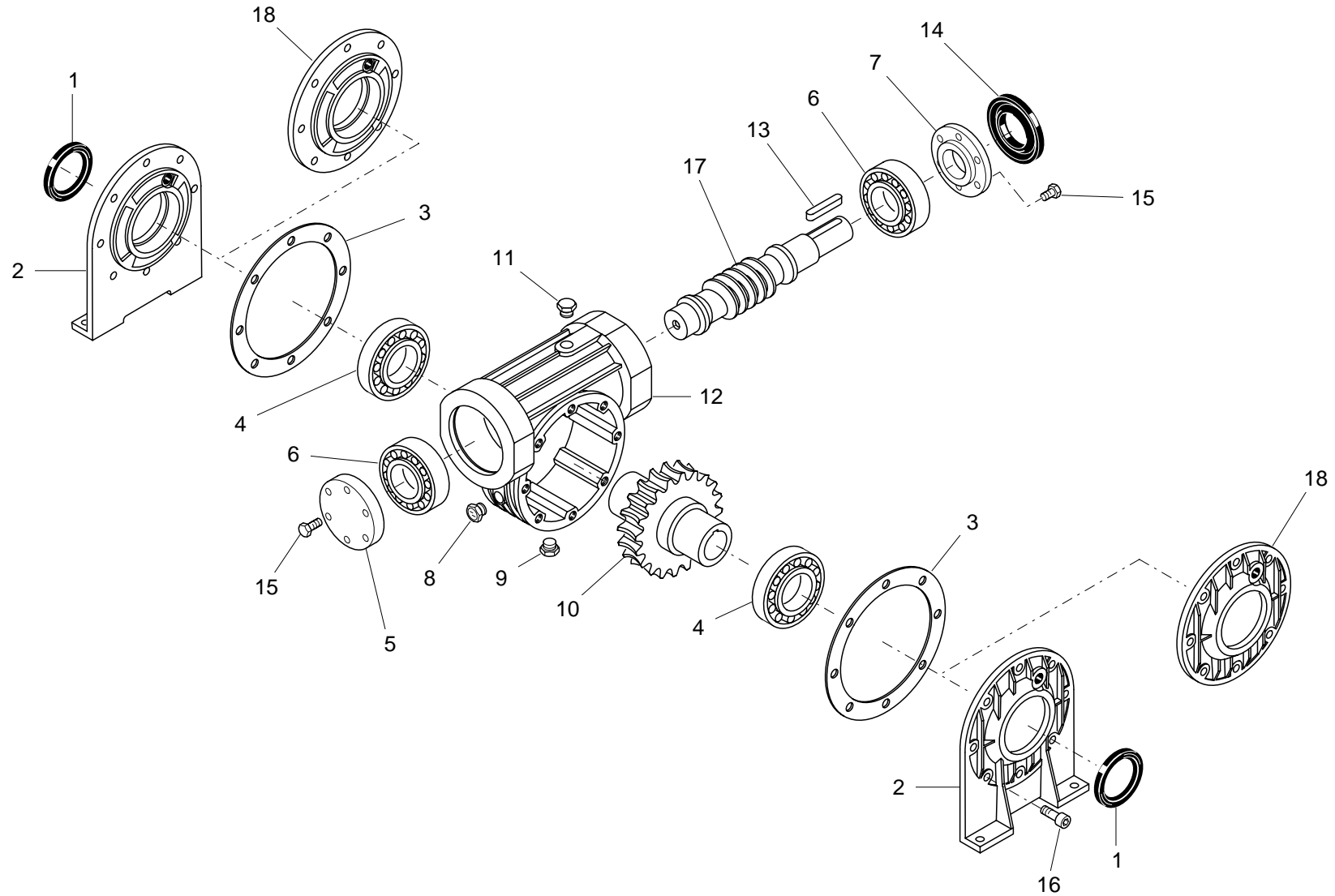


POS.	CODICE	DESCRIZIONE	MAT.	Q.TA'
1	00001568	AN. DI TENUTA 80. 100. 10 BASL		2
2	20004202	PIEDE I150		2
3	20004219	GUARN.ALB. LENTO I-MI 150		2
4	00001288	CUSCINETTO 6216		2
5	20004206	COPERCHIO CHIUSO I150		1
6	00001215	CUSCINETTO 30211		2
7	20004207	COPERCHIO APERTO I150		1
8	00043064	TAPPO LIVELLO OLIO 1/2 GAS		1
9	00036151	TAPPO CHIUSO SCARICO 1/2 GAS		1
10	20004188	CORONA I150 R1/7.5		1
10	20004189	CORONA I150 R1/10		1
10	20004190	CORONA I150 R1/15		1
10	20004191	CORONA I150 R1/20		1
10	20004192	CORONA I150 R1/25		1
10	20004193	CORONA I150 R1/30		1
10	20004194	CORONA I150 R1/40		1
10	20004195	CORONA I150 R1/50		1
10	20004196	CORONA I150 R1/60		1
10	20004197	CORONA I150 R1/80		1
10	20004198	CORONA I150 R1/100		1
11	00076967	TAPPO SFIATO VALVOLA 1/2 GAS		1
12	20004200	CORPO I150		1
13	00001595	LINGUETTA 12. 8. 90		1
14	00001557	AN. DI TENUTA 55. 80. 10 BASL		1
15	00001729	VITE T.E. M8 .20		12
16	00001689	VITE T.E. M12 .30		16
17	20004146	V.S.F I150 R1/7.5		1
17	20004174	V.S.F I150 R1/7.5 F.38		1
17	20088800	V.S.F I150 R1/7.5 F.42		1
17	20004147	V.S.F I150 R1/10		1
17	20004175	V.S.F I150 R1/10 F.38		1
17	20085890	V.S.F I150 R1/10 F.42		1
17	20004148	V.S.F I150 R1/15		1
17	20004176	V.S.F I150 R1/15 F.38		1
17	20088803	V.S.F I150 R1/15 F.42		1
17	20004150	V.S.F I150 R1/20		1
17	20004177	V.S.F I150 R1/20 F.38		1

POS.	CODICE	DESCRIZIONE	MAT.	Q.TA'
17	20004152	V.S.F I150 R1/25		1
17	20004178	V.S.F I150 R1/25 F.38		1
17	20004153	V.S.F I150 R1/30		1
17	20004179	V.S.F I150 R1/30 F.38		1
17	20004155	V.S.F I150 R1/40		1
17	20004182	V.S.F I150 R1/40 F.38		1
17	20004156	V.S.F I150 R1/50		1
17	20004170	V.S.F I150 R1/50 F.28		1
17	20004183	V.S.F I150 R1/50 F.38		1
17	20004157	V.S.F I150 R1/60		1
17	20004171	V.S.F I150 R1/60 F.28		1
17	20004184	V.S.F I150 R1/60 F.38		1
17	20004159	V.S.F I150 R1/80		1
17	20004172	V.S.F I150 R1/80 F.28		1
17	20004160	V.S.F I150 R1/100		1
17	20004173	V.S.F I150 R1/100 F.28		1
18	20025179	FLANGIA PIATTA I150		2

POS.	CODE	DESCRIPTION	MAT.	Q.TY
1	00001568	OIL SEAL 80. 100. 10 BASL		2
2	20004202	FOOT I150		2
3	20004219	GASKET I-MI 150		2
4	00001288	BEARING 6216		2
5	20004206	COVER I150		1
6	00001215	BEARING 30211		2
7	20004207	COVER I150		1
8	00043064	PLUG 1/2 GAS		1
9	00036151	PLUG 1/2 GAS		1
10	20004188	CROWN GEAR I150 R1/7.5		1
10	20004189	CROWN GEAR I150 R1/10		1
10	20004190	CROWN GEAR I150 R1/15		1
10	20004191	CROWN GEAR I150 R1/20		1
10	20004192	CROWN GEAR I150 R1/25		1
10	20004193	CROWN GEAR I150 R1/30		1
10	20004194	CROWN GEAR I150 R1/40		1
10	20004195	CROWN GEAR I150 R1/50		1
10	20004196	CROWN GEAR I150 R1/60		1
10	20004197	CROWN GEAR I150 R1/80		1
10	20004198	CROWN GEAR I150 R1/100		1
11	00076967	PLUG 1/2 GAS		1
12	20004200	BODY I150		1
13	00001595	KEY 12. 8. 90		1
14	00001557	OIL SEAL 55. 80. 10 BASL		1
15	00001729	SCREW T.E. M8 .20		12
16	00001689	SCREW T.E. M12 .30		16
17	20004146	WORM SCREW I150 R1/7.5		1
17	20004174	WORM SCREW I150 R1/7.5 F.38		1
17	20088800	WORM SCREW I150 R1/7.5 F.42		1
17	20004147	WORM SCREW I150 R1/10		1
17	20004175	WORM SCREW I150 R1/10 F.38		1
17	20085890	WORM SCREW I150 R1/10 F.42		1
17	20004148	WORM SCREW I150 R1/15		1
17	20004176	WORM SCREW I150 R1/15 F.38		1
17	20088803	WORM SCREW I150 R1/15 F.42		1
17	20004150	WORM SCREW I150 R1/20		1
17	20004177	WORM SCREW I150 R1/20 F.38		1

POS.	CODE	DESCRIPTION	MAT.	Q.TY
17	20004152	WORM SCREW I150 R1/25		1
17	20004178	WORM SCREW I150 R1/25 F.38		1
17	20004153	WORM SCREW I150 R1/30		1
17	20004179	WORM SCREW I150 R1/30 F.38		1
17	20004155	WORM SCREW I150 R1/40		1
17	20004182	WORM SCREW I150 R1/40 F.38		1
17	20004156	WORM SCREW I150 R1/50		1
17	20004170	WORM SCREW I150 R1/50 F.28		1
17	20004183	WORM SCREW I150 R1/50 F.38		1
17	20004157	WORM SCREW I150 R1/60		1
17	20004171	WORM SCREW I150 R1/60 F.28		1
17	20004184	WORM SCREW I150 R1/60 F.38		1
17	20004159	WORM SCREW I150 R1/80		1
17	20004172	WORM SCREW I150 R1/80 F.28		1
17	20004160	WORM SCREW I150 R1/100		1
17	20004173	WORM SCREW I150 R1/100 F.28		1
18	20025179	FLANGE I150		2

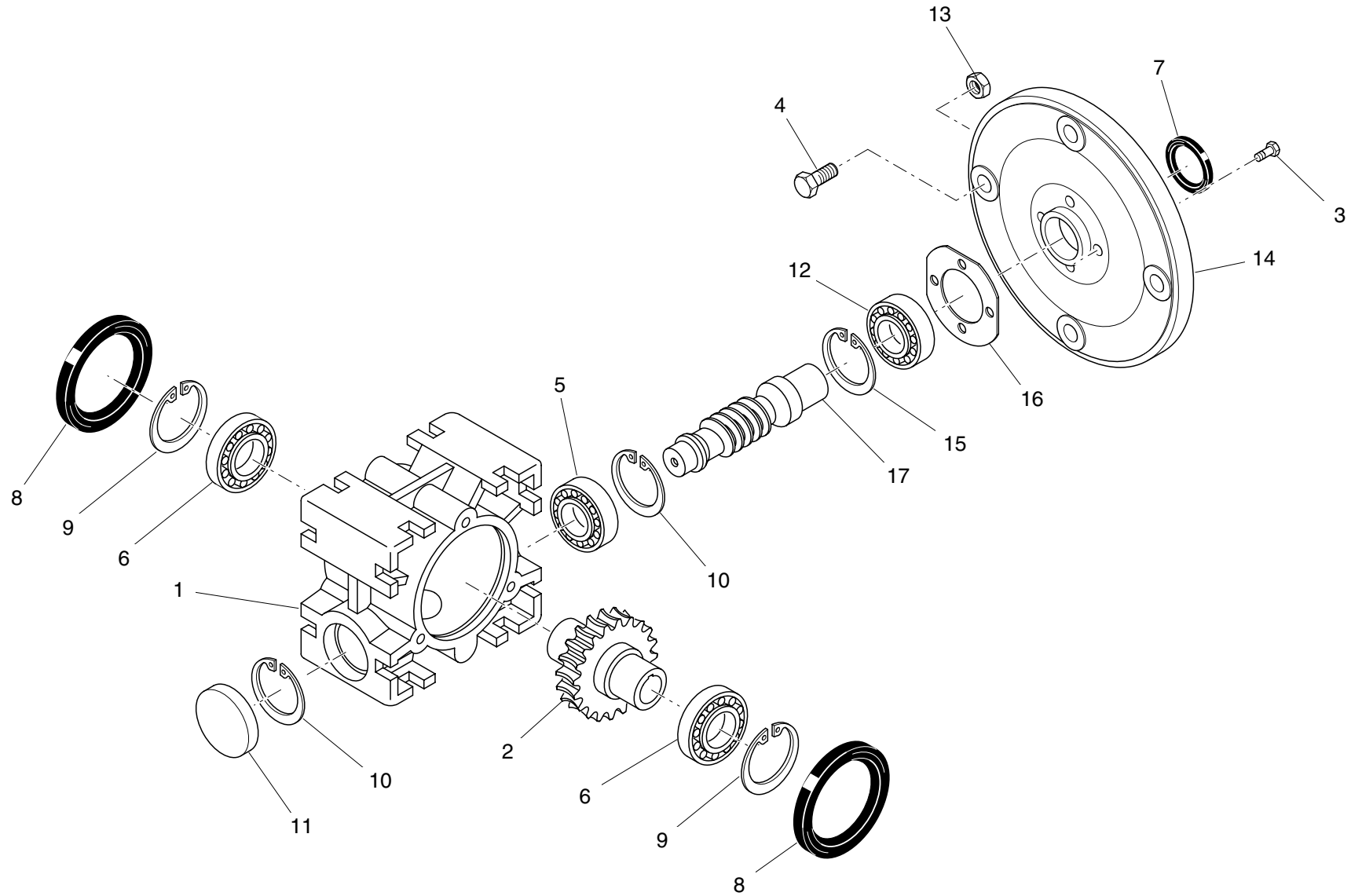


POS.	CODICE	DESCRIZIONE	MAT.	Q.TA'
1	00021680	AN. DI TENUTA 85. 110. 12 BASL		2
2	20020319	PIEDE I175		2
3	20020414	GUARN.ALB.LENTO I-MI175		2
4	00021679	CUSCINETTO 6217		2
5	20020322	COPERCHIO CHIUSO I175		1
6	00021678	CUSCINETTO 30212		2
7	20020321	COPERCHIO APERTO I175		1
8	00043064	TAPPO LIVELLO OLIO 1/2 GAS (CH.27)		1
9	00036151	TAPPO CHIUSO SCARICO 1/2 GAS AVP + ETICH		1
10	20020333	CORONA I175 R1/7.5		1
10	20020334	CORONA I175 R1/10		1
10	20020335	CORONA I175 R1/15		1
10	20020336	CORONA I175 R1/20		1
10	20020337	CORONA I175 R1/25		1
10	20020338	CORONA I175 R1/30		1
10	20020339	CORONA I175 R1/40		1
10	20020340	CORONA I175 R1/50		1
10	20020341	CORONA I175 R1/60		1
10	20020342	CORONA I175 R1/80		1
10	20020344	CORONA I175 R1/100		1
11	00076967	TAPPO SFIATO VALVOLA 1/2		1
12	20020317	CORPO I175		1
13	00001595	LINGUETTA 12. 8.90		1
14	00001563	AN. DI TENUTA 60. 80. 10 BASL		1
15	00034329	VITE T.E. M12.25		12
16	00001689	VITE T.E. M12.30		22
17	20020345	V.S.F I175 R1/7.5		1
17	20020396	V.S.F I175 R1/7.5 F.38		1
17	20020406	V.S.F I175 R1/7.5 F.42		1
17	20020346	V.S.F I175 R1/10		1
17	20020397	V.S.F I175 R1/10 F.38		1
17	20020407	V.S.F I175 R1/10 F.42		1
17	20020347	V.S.F I175 R1/15		1
17	20020398	V.S.F I175 R1/15 F.38		1
17	20020408	V.S.F I175 R1/15 F.42		1
17	20020348	V.S.F I175 R1/20		1
17	20020399	V.S.F I175 R1/20 F.38		1

POS.	CODICE	DESCRIZIONE	MAT.	Q.TA'
17	20020409	V.S.F I175 R1/20 F.42		1
17	20020349	V.S.F I175 R1/25		1
17	20020400	V.S.F I175 R1/25 F.38		1
17	20020410	V.S.F I175 R1/25 F.42		1
17	20020350	V.S.F I175 R1/30		1
17	20020401	V.S.F I175 R1/30 F.38		1
17	20020411	V.S.F I175 R1/30 F.42		1
17	20020351	V.S.F I175 R1/40		1
17	20020402	V.S.F I175 R1/40 F.38		1
17	20020412	V.S.F I175 R1/40 F.42		1
17	20020352	V.S.F I175 R1/50		1
17	20020403	V.S.F I175 R1/50 F.38		1
17	20020413	V.S.F I175 R1/50 F.42		1
17	20020353	V.S.F I175 R1/60		1
17	20020404	V.S.F I175 R1/60 F.38		1
17	20037409	V.S.F I175 R1/60 F.42		1
17	20020354	V.S.F I175 R1/80		1
17	20020394	V.S.F I175 R1/80 F.28		1
17	20020405	V.S.F I175 R1/80 F.38		1
17	20020355	V.S.F I175 R1/100		1
17	20020395	V.S.F I175 R1/100 F.28		1
18	20044811	FLANGIA PIATTA I175		2

POS.	CODE	DESCRIPTION	MAT.	Q.TY
1	00021680	OIL SEAL 85. 110. 12 BASL		2
2	20020319	FOOT I175		2
3	20020414	GASKET I-MI175		2
4	00021679	BEARING 6217		2
5	20020322	COVER I175		1
6	00021678	BEARING 30212		2
7	20020321	COVER I175		1
8	00043064	PLUG 1/2 GAS (CH.27)		1
9	00036151	PLUG 1/2 GAS AVP + ETICH		1
10	20020333	CROWN GEAR I175 R1/7.5		1
10	20020334	CROWN GEAR I175 R1/10		1
10	20020335	CROWN GEAR I175 R1/15		1
10	20020336	CROWN GEAR I175 R1/20		1
10	20020337	CROWN GEAR I175 R1/25		1
10	20020338	CROWN GEAR I175 R1/30		1
10	20020339	CROWN GEAR I175 R1/40		1
10	20020340	CROWN GEAR I175 R1/50		1
10	20020341	CROWN GEAR I175 R1/60		1
10	20020342	CROWN GEAR I175 R1/80		1
10	20020344	CROWN GEAR I175 R1/100		1
11	00076967	PLUG 1/2		1
12	20020317	BODY I175		1
13	00001595	KEY 12. 8.90		1
14	00001563	OIL SEAL 60. 80. 10 BASL		1
15	00034329	SCREW T.E. M12.25		12
16	00001689	SCREW T.E. M12.30		22
17	20020345	WORM SCREW I175 R1/7.5		1
17	20020396	WORM SCREW I175 R1/7.5 F.38		1
17	20020406	WORM SCREW I175 R1/7.5 F.42		1
17	20020346	WORM SCREW I175 R1/10		1
17	20020397	WORM SCREW I175 R1/10 F.38		1
17	20020407	WORM SCREW I175 R1/10 F.42		1
17	20020347	WORM SCREW I175 R1/15		1
17	20020398	WORM SCREW I175 R1/15 F.38		1
17	20020408	WORM SCREW I175 R1/15 F.42		1
17	20020348	WORM SCREW I175 R1/20		1
17	20020399	WORM SCREW I175 R1/20 F.38		1

POS.	CODE	DESCRIPTION	MAT.	Q.TY
17	20020409	WORM SCREW I175 R1/20 F.42		1
17	20020349	WORM SCREW I175 R1/25		1
17	20020400	WORM SCREW I175 R1/25 F.38		1
17	20020410	WORM SCREW I175 R1/25 F.42		1
17	20020350	WORM SCREW I175 R1/30		1
17	20020401	WORM SCREW I175 R1/30 F.38		1
17	20020411	WORM SCREW I175 R1/30 F.42		1
17	20020351	WORM SCREW I175 R1/40		1
17	20020402	WORM SCREW I175 R1/40 F.38		1
17	20020412	WORM SCREW I175 R1/40 F.42		1
17	20020352	WORM SCREW I175 R1/50		1
17	20020403	WORM SCREW I175 R1/50 F.38		1
17	20020413	WORM SCREW I175 R1/50 F.42		1
17	20020353	WORM SCREW I175 R1/60		1
17	20020404	WORM SCREW I175 R1/60 F.38		1
17	20037409	WORM SCREW I175 R1/60 F.42		1
17	20020354	WORM SCREW I175 R1/80		1
17	20020394	WORM SCREW I175 R1/80 F.28		1
17	20020405	WORM SCREW I175 R1/80 F.38		1
17	20020355	WORM SCREW I175 R1/100		1
17	20020395	WORM SCREW I175 R1/100 F.28		1
18	20044811	FLANGE I175		2

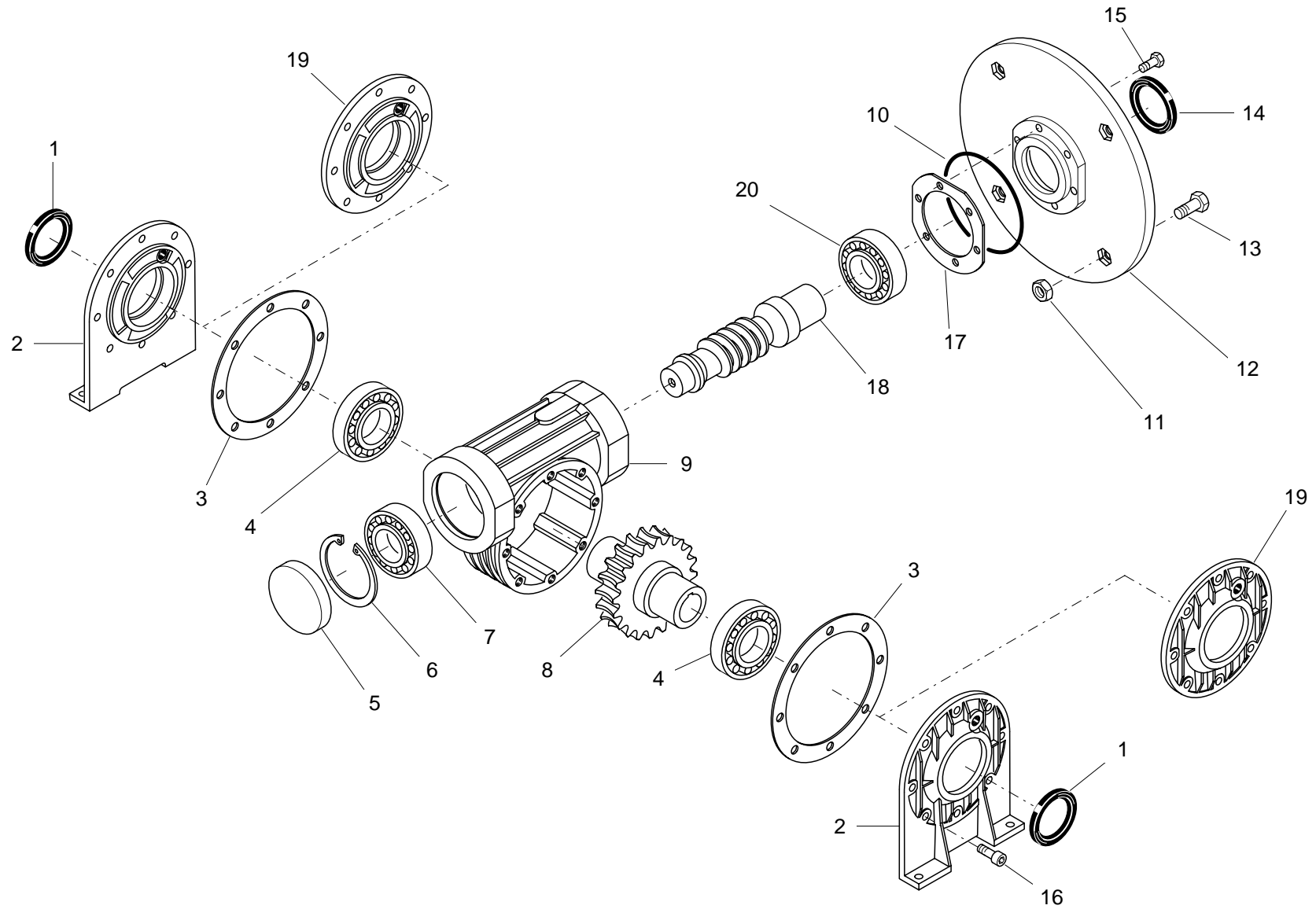


POS.	CODICE	DESCRIZIONE	MAT.	Q.TA'
1	20038641	CORPO MI30		1
2	20003437	CORONA I30 R1/7.5		1
2	20003438	CORONA I30 R1/10		1
2	20003439	CORONA I30 R1/15		1
2	20003440	CORONA I30 R1/20		1
2	20003441	CORONA I30 R1/25		1
2	20003442	CORONA I30 R1/30		1
2	20003445	CORONA I30 R1/40		1
2	20003446	CORONA I30 R1/50		1
2	20003447	CORONA I30 R1/60		1
2	20003448	CORONA I30 R1/80		1
2	20003449	CORONA I30 R1/100		1
3	00001749	VITE T.C.E.I M5 .12 UNI 5931		4
4	00001723	VITE T.E. M6 .25 UNI 5739		4
5	00001247	CUSCINETTO 6000		1
6	00001206	CUSCINETTO 16006		2
7	00050191	AN. DI TENUTA 17. 25. 4 BASL PAM 10/80		1
7	00050191	AN. DI TENUTA 17. 25. 4 BASL PAM 11/90		1
7	00001484	AN. DI TENUTA 15. 24. 7 BASL PAM 9/120		1
7	00001484	AN. DI TENUTA 15. 24. 7 BASL PAM 9/80		1
7	00001484	AN. DI TENUTA 15. 24. 7 BASL PAM 9/90		1
7	00050192	AN. DI TENUTA 17. 28. 5 BASL PAM 11/140		1
8	00001516	AN. DI TENUTA 30. 55. 7 BASL		2
9	00001441	ANELLO SEEGER I 55 UNI 7437		2
10	00001433	ANELLO SEEGER I 26 UNI 7437		2
11	00028429	CAPPELLOTTO D.26 S.7		1
12	00034763	CUSCINETTO 51102		1
13	00001796	DADO ESAGONALE M6 UNI 5588		4
14	20049322	F.A.M I30 D.90 B14		1
14	20081142	F.A.M I30 D.80 B14-F10		1
14	20040723	F.A.M I30 D.80 B.14 ALBERO MASCHIO		1
14	20038203	F.A.M I30 D.80 B.14		1
14	20038204	F.A.M I30 D.120		1
14	20049324	F.A.M I30 D.140		1
15	00038701	ANELLO SEEGER I 28 UNI 7437		1
16	20038463	GUARNIZIONE ENTRATA I30		1
17	20038168	V.S.F. MI30 R1/10 F.9		1

17	20038177	V.S.F. MI30 R1/100 F.9	1
17	20049321	V.S.F. MI30 R1/15 F.11	1
17	20038169	V.S.F. MI30 R1/15 F.9	1
17	20059146	V.S.F. MI30 R1/20 F.10	1
17	20060677	V.S.F. MI30 R1/20 F.11	1
17	20038170	V.S.F. MI30 R1/20 F.9	1
17	20065878	V.S.F. MI30 R1/25 F.11	1
17	20038171	V.S.F. MI30 R1/25 F.9	1
17	20065879	V.S.F. MI30 R1/30 F.11	1
17	20038172	V.S.F. MI30 R1/30 F.9	1
17	20063550	V.S.F. MI30 R1/40 F.11	1
17	20038173	V.S.F. MI30 R1/40 F.9	1
17	20038174	V.S.F. MI30 R1/50 F.9	1
17	20038175	V.S.F. MI30 R1/60 F.9	1
17	20081141	V.S.F. MI30 R1/7.5 F.10	1
17	20049319	V.S.F. MI30 R1/7.5 F.11	1
17	20038167	V.S.F. MI30 R1/7.5 F.9	1
17	20038176	V.S.F. MI30 R1/80 F.9	1

POS.	CODE	DESCRIPTION	MAT.	Q.TY
1	20038641	BODY MI30		1
2	20003437	CROWN GEAR I30 R1/7.5		1
2	20003438	CROWN GEAR I30 R1/10		1
2	20003439	CROWN GEAR I30 R1/15		1
2	20003440	CROWN GEAR I30 R1/20		1
2	20003441	CROWN GEAR I30 R1/25		1
2	20003442	CROWN GEAR I30 R1/30		1
2	20003445	CROWN GEAR I30 R1/40		1
2	20003446	CROWN GEAR I30 R1/50		1
2	20003447	CROWN GEAR I30 R1/60		1
2	20003448	CROWN GEAR I30 R1/80		1
2	20003449	CROWN GEAR I30 R1/100		1
3	00001749	SCREW T.C.E.I M5 .12 UNI 5931		4
4	00001723	SCREW T.E. M6 .25 UNI 5739		4
5	00001247	BEARING 6000		1
6	00001206	BEARING 16006		2
7	00050191	OIL SEAL 17. 25. 4 BASL PAM 10/80		1
7	00050191	OIL SEAL 17. 25. 4 BASL PAM 11/90		1
7	00001484	OIL SEAL 15. 24. 7 BASL PAM 9/120		1
7	00001484	OIL SEAL 15. 24. 7 BASL PAM 9/80		1
7	00001484	OIL SEAL 15. 24. 7 BASL PAM 9/90		1
7	00050192	OIL SEAL 17. 28. 5 BASL PAM 11/140		1
8	00001516	OIL SEAL 30. 55. 7 BASL		2
9	00001441	SEEGER I 55 UNI 7437		2
10	00001433	SEEGER I 26 UNI 7437		2
11	00028429	CAP D.26 S.7		1
12	00034763	BEARING 51102		1
13	00001796	NUT M6 UNI 5588		4
14	20049322	F.A.M I30 D.90 B.14		1
14	20081142	F.A.M I30 D.80 B.14 FOR SCREW F.10		1
14	20040723	F.A.M I30 D.80 B.14 MALE SHAFT		1
14	20038203	F.A.M I30 D.80 B.14		1
14	20038204	F.A.M I30 D.120 B5 FOR SCREW F.9		1
14	20049324	F.A.M I30 D.140		1
15	00038701	SEEGER I 28 UNI 7437		1
16	20038463	GASKET I30		1
17	20038168	WORM SCREW MI30 R1/10 F.9		1

17	20038177	WORM SCREW MI30 R1/100 F.9	1
17	20049321	WORM SCREW MI30 R1/15 F.11	1
17	20038169	WORM SCREW MI30 R1/15 F.9	1
17	20059146	WORM SCREW MI30 R1/20 F.10	1
17	20060677	WORM SCREW MI30 R1/20 F.11	1
17	20038170	WORM SCREW MI30 R1/20 F.9	1
17	20065878	WORM SCREW MI30 R1/25 F.11	1
17	20038171	WORM SCREW MI30 R1/25 F.9	1
17	20065879	WORM SCREW MI30 R1/30 F.11	1
17	20038172	WORM SCREW MI30 R1/30 F.9	1
17	20063550	WORM SCREW MI30 R1/40 F.11	1
17	20038173	WORM SCREW MI30 R1/40 F.9	1
17	20038174	WORM SCREW MI30 R1/50 F.9	1
17	20038175	WORM SCREW MI30 R1/60 F.9	1
17	20081141	WORM SCREW MI30 R1/7.5 F.10	1
17	20049319	WORM SCREW MI30 R1/7.5 F.11	1
17	20038167	WORM SCREW MI30 R1/7.5 F.9	1
17	20038176	WORM SCREW MI30 R1/80 F.9	1

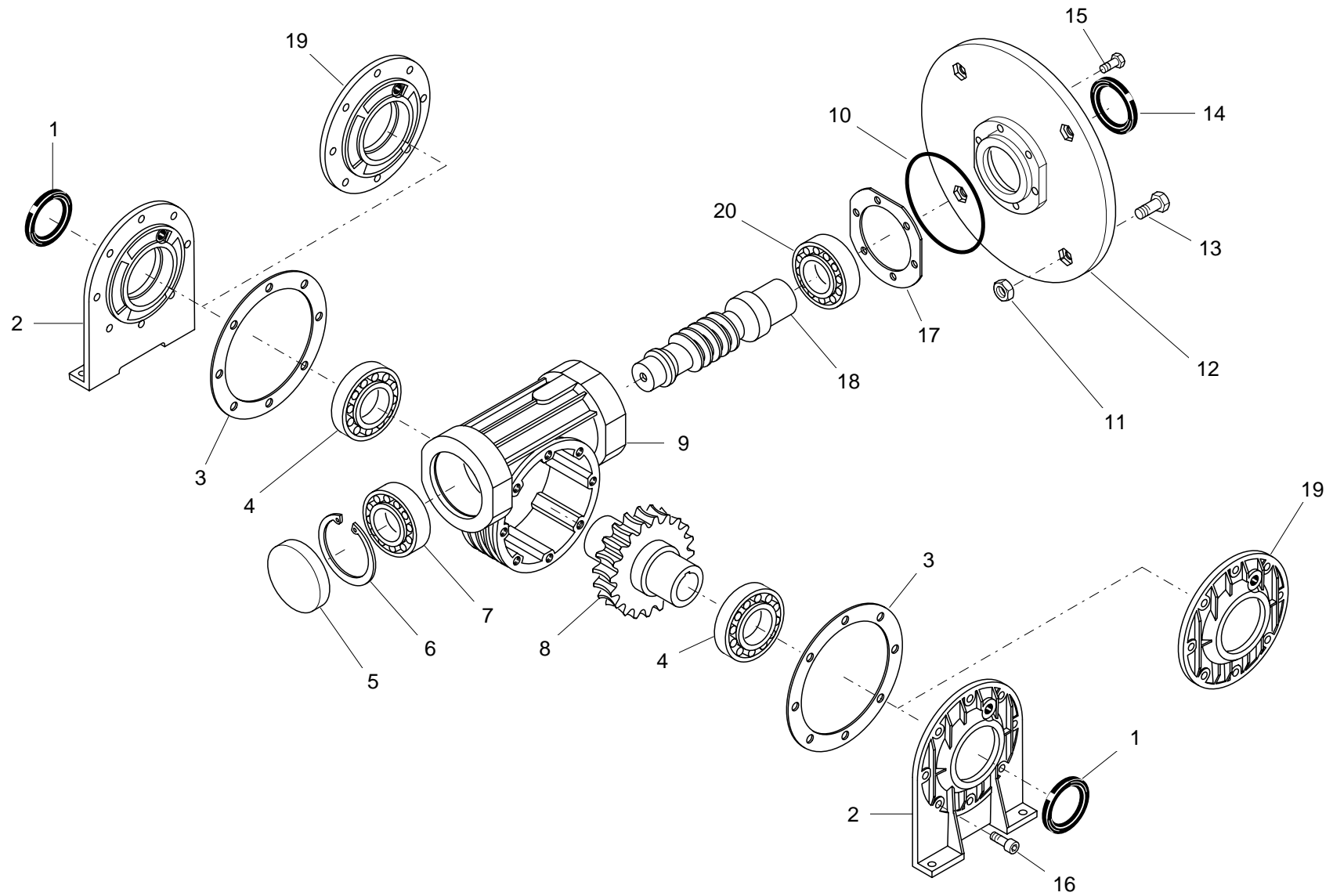


POS.	CODICE	DESCRIZIONE	MAT.	Q.TA'
1	00001513	AN. DI TENUTA 30. 47. 7 BASL		2
2	20058054	PIEDE I40		2
3	20003575	GUARN.ALB.LENTO I-MI 40		2
4	00001206	CUSCINETTO 16006		2
5	00059493	CAPPELLOTTO D.42 S.7		1
6	00001438	ANELLO SEEGER I 42 UNI 7437		1
7	00001250	CUSCINETTO 6004		1
8	20056931	CORONA I-MI40 R1/7.5 ZI		1
8	20056932	CORONA I-MI40 R1/10 ZI		1
8	20046783	CORONA I-MI40 R1/15 ZI		1
8	20046787	CORONA I-MI40 R1/20 ZI		1
8	20056933	CORONA I-MI40 R1/25 ZI		1
8	20056934	CORONA I-MI40 R1/30 ZI		1
8	20073699	CORONA I-MI40 R1/35 ZI		1
8	20056935	CORONA I-MI40 R1/40 ZI		1
8	20056936	CORONA I-MI40 R1/50 ZI		1
8	20046807	CORONA I-MI40 R1/60 ZI		1
8	20056937	CORONA I-MI40 R1/80 ZI		1
8	20046815	CORONA I-MI40 R1/100 ZI		1
9	20061698	NUOVO CORPO I40 MI40		1
10	00084722	OR 39X1,5		1
11	00001800	DADO ESAGONALE M8 UNI 5588		4
12	20063260	NUOVO F.A.M I40 D.90 B.14		1
12	20063259	NUOVO F.A.M I40 D.80 B.14		1
12	20063261	NUOVO F.A.M I40 D.105 B.14		1
12	20063262	NUOVO F.A.M I40 D.120		1
12	20063263	NUOVO F.A.M I40 D.140		1
12	20063264	NUOVO F.A.M I40 D.160		1
13	00001730	VITE T.E. M8 .25 UNI 5739		4
14	00001495	AN. DI TENUTA 20. 35. 7 BASL		1
15	00001714	VITE T.E. M5 .16 UNI 5739		6
16	00001750	VITE T.C.E.I M5 .16 UNI 5931		8
17	20003707	GUARNIZIONE		1
18	20081056	NUOVO V.S.F MI40 R1/5 F.11		1
18	20062631	NUOVO V.S.F MI40 R1/7.5 F.11		1
18	20062632	NUOVO V.S.F MI40 R1/7.5 F.14		1
18	20062633	NUOVO V.S.F MI40 R1/10 F.11		1

POS.	CODICE	DESCRIZIONE	MAT.	Q.TA'
18	20079330	NUOVO V.S.F MI40 R1/10 F.12.7		1
18	20062634	NUOVO V.S.F MI40 R1/10 F.14		1
18	20062635	NUOVO V.S.F MI40 R1/15 F.11		1
18	20062636	NUOVO V.S.F MI40 R1/15 F.14		1
18	20062637	NUOVO V.S.F MI40 R1/20 F.11		1
18	20062638	NUOVO V.S.F MI40 R1/20 F.14		1
18	20069920	NUOVO V.S.F MI40 R1/20 F.9		1
18	20062639	NUOVO V.S.F MI40 R1/25 F.11		1
18	20062640	NUOVO V.S.F MI40 R1/25 F.14		1
18	20062641	NUOVO V.S.F MI40 R1/30 F.11		1
18	20062642	NUOVO V.S.F MI40 R1/30 F.14		1
18	20073698	NUOVO V.S.F MI40 R1/35 F.11		1
18	20062643	NUOVO V.S.F MI40 R1/40 F.11		1
18	20078711	NUOVO V.S.F MI40 R1/40 F.14		1
18	20064353	NUOVO V.S.F MI40 R1/40 F.9		1
18	20062644	NUOVO V.S.F MI40 R1/50 F.11		1
18	20086171	NUOVO V.S.F MI40 R1/50 F.14		1
18	20062646	NUOVO V.S.F MI40 R1/60 F.11		1
18	20062645	NUOVO V.S.F MI40 R1/60 F.9		1
18	20062648	NUOVO V.S.F MI40 R1/80 F.11		1
18	20062647	NUOVO V.S.F MI40 R1/80 F.9		1
18	20062650	NUOVO V.S.F MI40 R1/100 F.11		1
18	20062649	NUOVO V.S.F MI40 R1/100 F.9		1
19	20058055	FLANGIA PIATTA I40		2
20	00001245	CUSCINETTO 51105 PAM 14/160		1
20	00001245	CUSCINETTO 51105 PAM 14/105		1

POS.	CODE	DESCRIPTION	MAT.	Q.TY
1	00001513	OIL SEAL 30. 47. 7 BASL		2
2	20058054	FOOT I40		2
3	20003575	GASKET I-MI 40		2
4	00001206	BEARING 16006		2
5	00059493	CAP D.42 S.7		1
6	00001438	SEEGER I 42 UNI 7437		1
7	00001250	BEARING 6004		1
8	20056931	CROWN GEAR I-MI40 R1/7.5 ZI		1
8	20056932	CROWN GEAR I-MI40 R1/10 ZI		1
8	20046783	CROWN GEAR I-MI40 R1/15 ZI		1
8	20046787	CROWN GEAR I-MI40 R1/20 ZI		1
8	20056933	CROWN GEAR I-MI40 R1/25 ZI		1
8	20056934	CROWN GEAR I-MI40 R1/30 ZI		1
8	20073699	CROWN GEAR I-MI40 R1/35 ZI		1
8	20056935	CROWN GEAR I-MI40 R1/40 ZI		1
8	20056936	CROWN GEAR I-MI40 R1/50 ZI		1
8	20046807	CROWN GEAR I-MI40 R1/60 ZI		1
8	20056937	CROWN GEAR I-MI40 R1/80 ZI		1
8	20046815	CROWN GEAR I-MI40 R1/100 ZI		1
9	20061698	BODY I40 MI40		1
10	00084722	OR 39X1,5		1
11	00001800	NUT M8 UNI 5588		4
12	20063260	F.A.M I40 D.90 B.14		1
12	20063259	F.A.M I40 D.80 B.14		1
12	20063261	F.A.M I40 D.105 B.14		1
12	20063262	F.A.M I40 D.120		1
12	20063263	F.A.M I40 D.140		1
12	20063264	F.A.M I40 D.160		1
13	00001730	SCREW T.E. M8 .25 UNI 5739		4
14	00001495	OIL SEAL 20. 35. 7 BASL		1
15	00001714	SCREW T.E. M5 .16 UNI 5739		6
16	00001750	SCREW T.C.E.I M5 .16 UNI 5931		8
17	20003707	GASKET		1
18	20081056	WORM SCREW MI40 R1/5 F.11		1
18	20062631	WORM SCREW MI40 R1/7.5 F.11		1
18	20062632	WORM SCREW MI40 R1/7.5 F.14		1
18	20062633	WORM SCREW MI40 R1/10 F.11		1

POS.	CODE	DESCRIPTION	MAT.	Q.TY
18	20079330	WORM SCREW MI40 R1/10 F.12.7		1
18	20062634	WORM SCREW MI40 R1/10 F.14		1
18	20062635	WORM SCREW MI40 R1/15 F.11		1
18	20062636	WORM SCREW MI40 R1/15 F.14		1
18	20062637	WORM SCREW MI40 R1/20 F.11		1
18	20062638	WORM SCREW MI40 R1/20 F.14		1
18	20069920	WORM SCREW MI40 R1/20 F.9		1
18	20062639	WORM SCREW MI40 R1/25 F.11		1
18	20062640	WORM SCREW MI40 R1/25 F.14		1
18	20062641	WORM SCREW MI40 R1/30 F.11		1
18	20062642	WORM SCREW MI40 R1/30 F.14		1
18	20073698	WORM SCREW MI40 R1/35 F.11		1
18	20062643	WORM SCREW MI40 R1/40 F.11		1
18	20078711	WORM SCREW MI40 R1/40 F.14		1
18	20064353	WORM SCREW MI40 R1/40 F.9		1
18	20062644	WORM SCREW MI40 R1/50 F.11		1
18	20086171	WORM SCREW MI40 R1/50 F.14		1
18	20062646	WORM SCREW MI40 R1/60 F.11		1
18	20062645	WORM SCREW MI40 R1/60 F.9		1
18	20062648	WORM SCREW MI40 R1/80 F.11		1
18	20062647	WORM SCREW MI40 R1/80 F.9		1
18	20062650	WORM SCREW MI40 R1/100 F.11		1
18	20062649	WORM SCREW MI40 R1/100 F.9		1
19	20058055	FLANGE		2
20	00001245	BEARING 51105 PAM 14/160		1
20	00001245	BEARING 51105 PAM 14/105		1

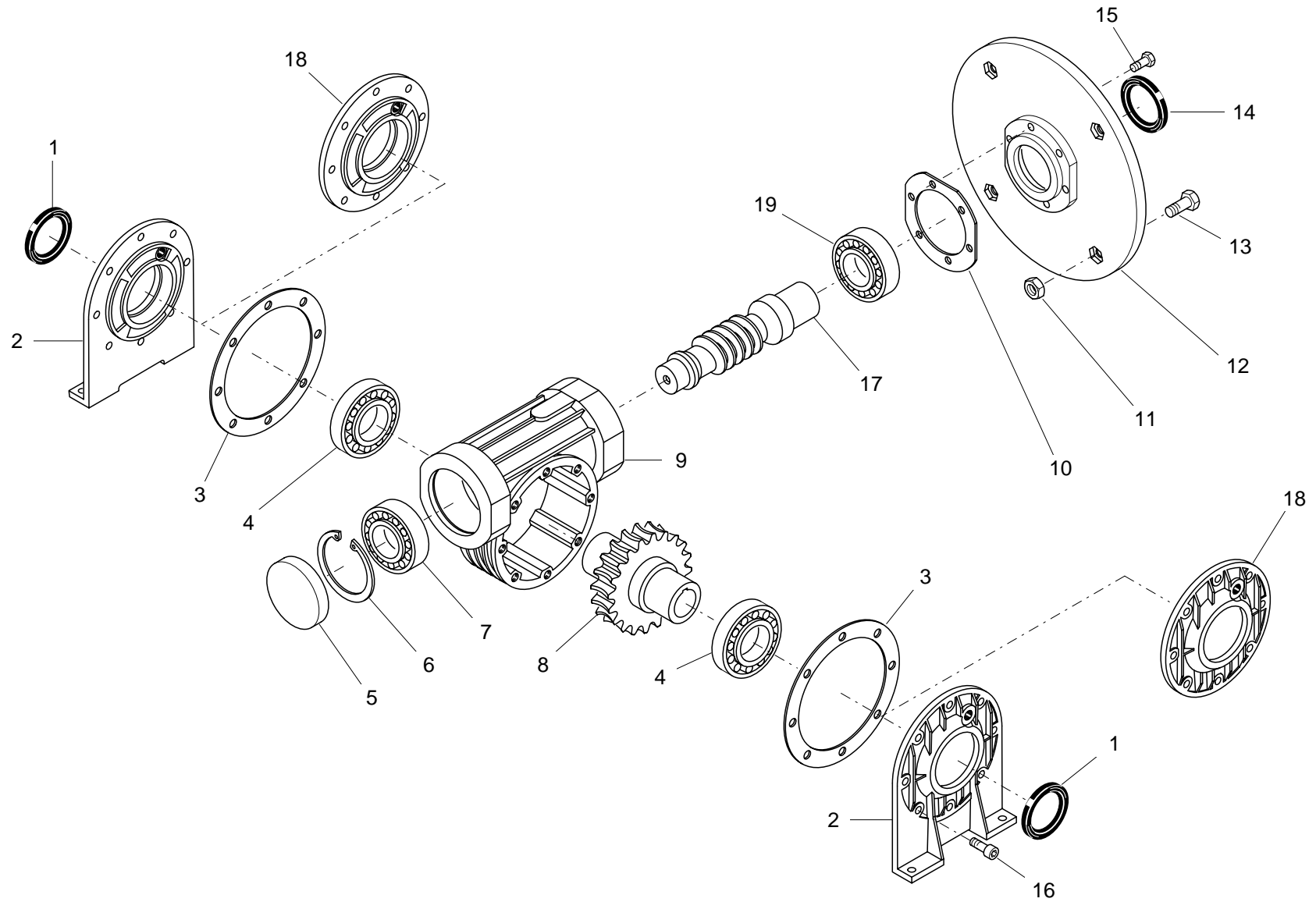


POS.	CODICE	DESCRIZIONE	MAT.	Q.TA'
1	00001523	AN. DI TENUTA 35. 47. 7 BASL		2
2	20058057	PIEDE I50		2
3	20003706	GUARN.ALB.LENTO I-MI 50		2
4	00001207	CUSCINETTO 16007		2
5	00028370	CAPPELLOTTO D.47 S.7		1
6	00001439	ANELLO SEEGER I 47 UNI 7437		2
7	00001259	CUSCINETTO 6204 PAM 11/140		1
7	00001259	CUSCINETTO 6204 PAM 14/160		1
7	00001259	CUSCINETTO 6204 PAM 11/90		1
7	00001259	CUSCINETTO 6204 PAM 14/105		1
7	00001211	CUSCINETTO 30204 PAM 19/200		1
7	00001211	CUSCINETTO 30204 PAM 19/120		1
8	20056924	CORONA I-MI50 R1/7.5 ZI		1
8	20046823	CORONA I-MI50 R1/10 ZI		1
8	20056930	CORONA I-MI50 R1/15 ZI		1
8	20056925	CORONA I-MI50 R1/20 ZI		1
8	20056926	CORONA I-MI50 R1/25 ZI		1
8	20056927	CORONA I-MI50 R1/30 ZI		1
8	20046843	CORONA I-MI50 R1/40 ZI		1
8	20056928	CORONA I-MI50 R1/50 ZI		1
8	20046851	CORONA I-MI50 R1/60 ZI		1
8	20046855	CORONA I-MI50 R1/80 ZI		1
8	20056929	CORONA I-MI50 R1/100 ZI		1
9	20061701	NUOVO CORPO I50 MI50		1
10	00078760	ORM 0430-20		1
11	00001800	DADO ESAGONALE M8 UNI 5588		4
12	20078508	NUOVO F.A.M 105 B.14		1
12	20063267	NUOVO F.A.M 120 B.14		1
12	20069067	NUOVO F.A.M 140		1
12	20069103	NUOVO F.A.M 160		1
12	20063270	NUOVO F.A.M 200		1
13	00001730	VITE T.E. M8 .25 UNI 5739		4
14	00001502	AN. DI TENUTA 25. 40. 7 BASL PAM 11/140		1
14	00001502	AN. DI TENUTA 25. 40. 7 BASL PAM 14/160		1
14	00001502	AN. DI TENUTA 25. 40. 7 BASL PAM 11/90		1
14	00001502	AN. DI TENUTA 25. 40. 7 BASL PAM 14/105		1
14	00001511	AN. DI TENUTA 30. 40. 7 BASL PAM 19/200		1

POS.	CODICE	DESCRIZIONE	MAT.	Q.TA'
14	00001511	AN. DI TENUTA 30. 40. 7 BASL PAM 19/120		1
15	00001715	VITE T.E. M5 .18 UNI 5739		6
16	00001751	VITE T.C.E.I M5 .18 UNI 5931		16
17	20019329	GUARNIZIONE		1
18	20062894	NUOVO V.S.F MI50 R1/7.5 F.14		1
18	20062895	NUOVO V.S.F MI50 R1/7.5 F.19		1
18	20062896	NUOVO V.S.F MI50 R1/10 F.14		1
18	20062897	NUOVO V.S.F MI50 R1/10 F.19		1
18	20062898	NUOVO V.S.F MI50 R1/15 F.14		1
18	20062899	NUOVO V.S.F MI50 R1/15 F.19		1
18	20062900	NUOVO V.S.F MI50 R1/20 F.14		1
18	20065269	NUOVO V.S.F MI50 R1/20 F.19		1
18	20062901	NUOVO V.S.F MI50 R1/25 F.14		1
18	20071835	NUOVO V.S.F MI50 R1/25 F.19		1
18	20062902	NUOVO V.S.F MI50 R1/30 F.14		1
18	20066691	NUOVO V.S.F MI50 R1/30 F.19		1
18	20064455	NUOVO V.S.F MI50 R1/36 F.14		1
18	20062903	NUOVO V.S.F MI50 R1/40 F.14		1
18	20079235	NUOVO V.S.F MI50 R1/40 F.19		1
18	20077372	NUOVO V.S.F MI50 R1/50 F.11		1
18	20062904	NUOVO V.S.F MI50 R1/50 F.14		1
18	20062905	NUOVO V.S.F MI50 R1/60 F.11		1
18	20062906	NUOVO V.S.F MI50 R1/60 F.14		1
18	20062907	NUOVO V.S.F MI50 R1/80 F.11		1
18	20062908	NUOVO V.S.F MI50 R1/80 F.14		1
18	20062909	NUOVO V.S.F MI50 R1/100 F.11		1
18	20062910	NUOVO V.S.F MI50 R1/100 F.14		1
19	20058058	FLANGIA PIATTA I50		2
20	00001251	CUSCINETTO 6005 PAM 11/40		1
20	00001251	CUSCINETTO 6005 PAM 14/160		1
20	00001251	CUSCINETTO 6005 PAM 11/90		1
20	00001251	CUSCINETTO 6005 PAM 14/105		1
20	00001246	CUSCINETTO 51106 PAM 19/200		1
20	00001246	CUSCINETTO 51106 PAM 19/120		1

POS.	CODE	DESCRIPTION	MAT.	Q.TY
1	00001523	OIL SEAL 35. 47. 7 BASL		2
2	20058057	FOOT I50		2
3	20003706	GASKET I-MI 50		2
4	00001207	BEARING 16007		2
5	00028370	CAP D.47 S.7		1
6	00001439	SEEGER I 47 UNI 7437		2
7	00001259	BEARING 6204 PAM 11/140		1
7	00001259	BEARING 6204 PAM 14/160		1
7	00001259	BEARING 6204 PAM 11/90		1
7	00001259	BEARING 6204 PAM 14/105		1
7	00001211	BEARING 30204 PAM 19/200		1
7	00001211	BEARING 30204 PAM 19/120		1
8	20056924	CROWN GEAR I-MI50 R1/7.5 ZI		1
8	20046823	CROWN GEAR I-MI50 R1/10 ZI		1
8	20056930	CROWN GEAR I-MI50 R1/15 ZI		1
8	20056925	CROWN GEAR I-MI50 R1/20 ZI		1
8	20056926	CROWN GEAR I-MI50 R1/25 ZI		1
8	20056927	CROWN GEAR I-MI50 R1/30 ZI		1
8	20046843	CROWN GEAR I-MI50 R1/40 ZI		1
8	20056928	CROWN GEAR I-MI50 R1/50 ZI		1
8	20046851	CROWN GEAR I-MI50 R1/60 ZI		1
8	20046855	CROWN GEAR I-MI50 R1/80 ZI		1
8	20056929	CROWN GEAR I-MI50 R1/100 ZI		1
9	20061701	BODY I50 MI50		1
10	00078760	ORM 0430-20		1
11	00001800	NUT M8 UNI 5588		4
12	20078508	F.A.M 105 B.14		1
12	20063267	F.A.M 120 B.14		1
12	20069067	F.A.M 140		1
12	20069103	F.A.M 160		1
12	20063270	F.A.M 200		1
13	00001730	SCREW T.E. M8 .25 UNI 5739		4
14	00001502	OIL SEAL 25. 40. 7 BASL PAM 11/140		1
14	00001502	OIL SEAL 25. 40. 7 BASL PAM 14/160		1
14	00001502	OIL SEAL 25. 40. 7 BASL PAM 11/90		1
14	00001502	OIL SEAL 25. 40. 7 BASL PAM 14/105		1
14	00001511	OIL SEAL 30. 40. 7 BASL PAM 19/200		1

POS.	CODE	DESCRIPTION	MAT.	Q.TY
14	00001511	OIL SEAL 30. 40. 7 BASL PAM 19/120		1
15	00001715	SCREW T.E. M5 .18 UNI 5739		6
16	00001751	SCREW T.C.E.I M5 .18 UNI 5931		16
17	20019329	GASKET		1
18	20062894	WORM SCREW MI50 R1/7.5 F.14		1
18	20062895	WORM SCREW MI50 R1/7.5 F.19		1
18	20062896	WORM SCREW MI50 R1/10 F.14		1
18	20062897	WORM SCREW MI50 R1/10 F.19		1
18	20062898	WORM SCREW MI50 R1/15 F.14		1
18	20062899	WORM SCREW MI50 R1/15 F.19		1
18	20062900	WORM SCREW MI50 R1/20 F.14		1
18	20065269	WORM SCREW MI50 R1/20 F.19		1
18	20062901	WORM SCREW MI50 R1/25 F.14		1
18	20071835	WORM SCREW MI50 R1/25 F.19		1
18	20062902	WORM SCREW MI50 R1/30 F.14		1
18	20066691	WORM SCREW MI50 R1/30 F.19		1
18	20064455	WORM SCREW MI50 R1/36 F.14		1
18	20062903	WORM SCREW MI50 R1/40 F.14		1
18	20079235	WORM SCREW MI50 R1/40 F.19		1
18	20077372	WORM SCREW MI50 R1/50 F.11		1
18	20062904	WORM SCREW MI50 R1/50 F.14		1
18	20062905	WORM SCREW MI50 R1/60 F.11		1
18	20062906	WORM SCREW MI50 R1/60 F.14		1
18	20062907	WORM SCREW MI50 R1/80 F.11		1
18	20062908	WORM SCREW MI50 R1/80 F.14		1
18	20062909	WORM SCREW MI50 R1/100 F.11		1
18	20062910	WORM SCREW MI50 R1/100 F.14		1
19	20058058	FLANGE I50		2
20	00001251	BEARING 6005 PAM 11/40		1
20	00001251	BEARING 6005 PAM 14/160		1
20	00001251	BEARING 6005 PAM 11/90		1
20	00001251	BEARING 6005 PAM 14/105		1
20	00001246	BEARING 51106 PAM 19/200		1
20	00001246	BEARING 51106 PAM 19/120		1

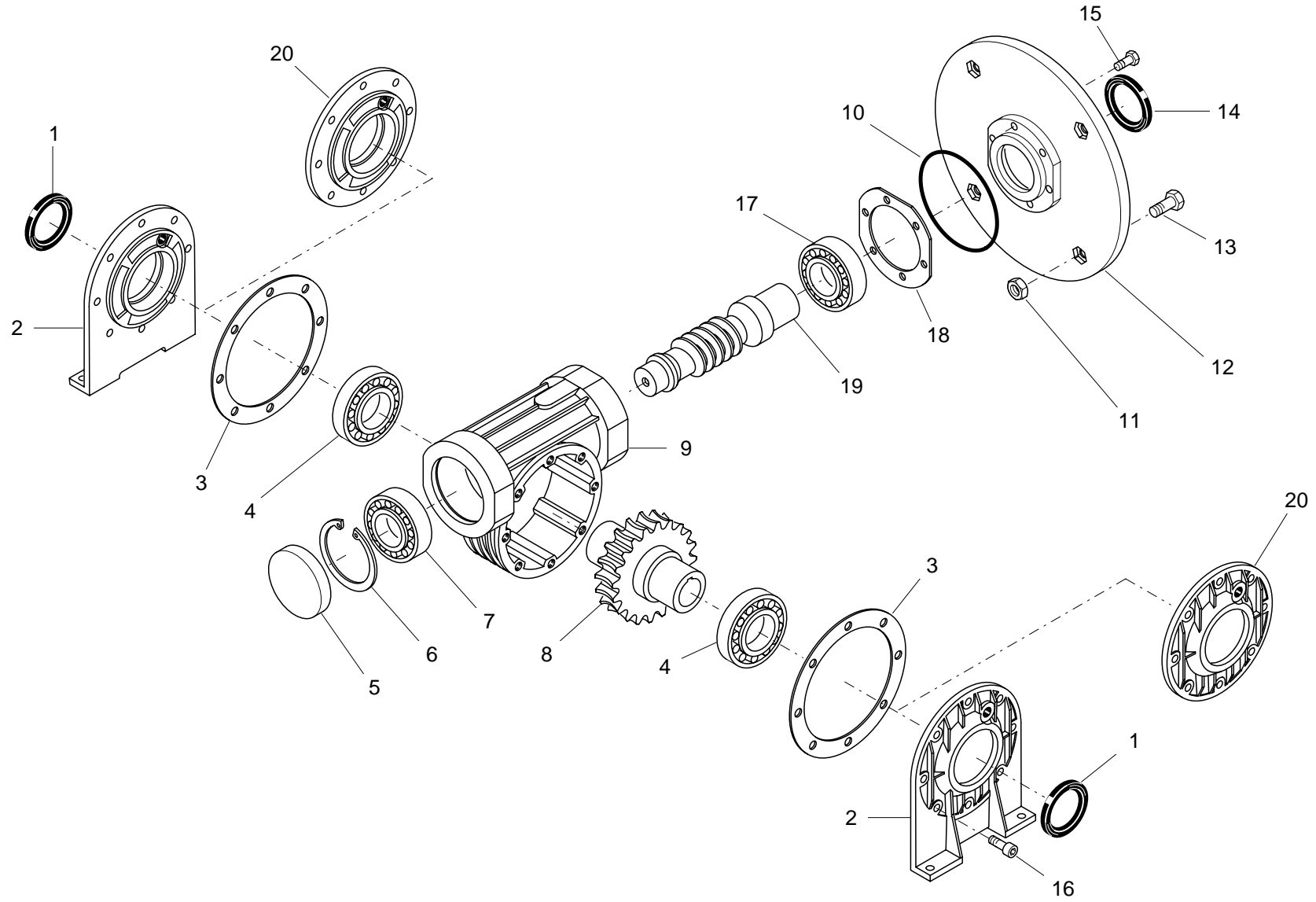


POS.	CODICE	DESCRIZIONE	MAT.	Q.TA'
1	00001532	AN. DI TENUTA 40. 56. 8 BASL		2
2	20061787	PIEDE I60		2
3	20019328	GUARN.ALB.LENTO I-MI 60		2
4	00001255	CUSCINETTO 6008		2
5	00062513	CAPPELLOTTO D.55 S.10		1
6	00001441	ANELLO SEEGER I 55 UNI 7437		1
7	00001226	CUSCINETTO 32006X		1
8	20056921	CORONA I-MI60 R1/7.5 ZI		1
8	20056923	CORONA I-MI60 R1/10 ZI		1
8	20046871	CORONA I-MI60 R1/15 ZI		1
8	20046875	CORONA I-MI60 R1/20 ZI		1
8	20046879	CORONA I-MI60 R1/25 ZI		1
8	20056922	CORONA I-MI60 R1/30 ZI		1
8	20046887	CORONA I-MI60 R1/40 ZI		1
8	20046912	CORONA I-MI60 R1/50 ZI		1
8	20046916	CORONA I-MI60 R1/60 ZI		1
8	20046920	CORONA I-MI60 R1/80 ZI		1
8	20046924	CORONA I-MI60 R1/100 ZI		1
9	20063442	NUOVO CORPO I60 MI60		1
10	20066751	NUOVO GUARN. ALB.VELOCE MI60		1
11	00001788	DADO ESAGONALE M10 UNI 5588		4
12	20063271	NUOVO F.A.M D.105 B.14		1
12	20063272	NUOVO F.A.M D.120 B.14		1
12	20063273	NUOVO F.A.M D.140 F.24 - B.14		1
12	20064781	NUOVO F.A.M D.140 F.14 - 19 -B.14		1
12	20063274	NUOVO F.A.M D.160 F.14 - 19		1
12	20063275	NUOVO F.A.M D.200 F.14 - 19		1
12	20063441	NUOVO F.A.M D.200 F.24		1
13	00023550	VITE T.E. M10.35 UNI 5739		4
14	00001513	AN. DI TENUTA 30. 47. 7 BASL PAM 14/160		1
14	00001513	AN. DI TENUTA 30. 47. 7 BASL PAM 19/200		1
14	00001513	AN. DI TENUTA 30. 47. 7 BASL PAM 14/105		1
14	00001513	AN. DI TENUTA 30. 47. 7 BASL PAM 19/120		1
14	00001523	AN. DI TENUTA 35. 47. 7 BASL PAM 24/200		1
14	00001523	AN. DI TENUTA 35. 47. 7 BASL PAM 24/140		1
15	00001720	VITE T.E. M6 .18 UNI 5739		6
16	00022013	VITE T.C.E.I M6 .18 UNI 5931		16

POS.	CODICE	DESCRIZIONE	MAT.	Q.TA'
17	20062922	NUOVO V.S.F MI60 R1/7.5 F.19		1
17	20062923	NUOVO V.S.F MI60 R1/7.5 F.24		1
17	20062924	NUOVO V.S.F MI60 R1/10 F.19		1
17	20062925	NUOVO V.S.F MI60 R1/10 F.24		1
17	20062926	NUOVO V.S.F MI60 R1/15 F.19		1
17	20062927	NUOVO V.S.F MI60 R1/15 F.24		1
17	20062928	NUOVO V.S.F MI60 R1/20 F.19		1
17	20064344	NUOVO V.S.F MI60 R1/20 F.24		1
17	20062929	NUOVO V.S.F MI60 R1/25 F.19		1
17	20079171	NUOVO V.S.F MI60 R1/25 F.24		1
17	20076776	NUOVO V.S.F MI60 R1/30 F.14		1
17	20062930	NUOVO V.S.F MI60 R1/30 F.19		1
17	20066717	NUOVO V.S.F MI60 R1/30 F.24		1
17	20064623	NUOVO V.S.F MI60 R1/38 F.19		1
17	20062931	NUOVO V.S.F MI60 R1/40 F.19		1
17	20079332	NUOVO V.S.F MI60 R1/40 F.24		1
17	20062001	NUOVO V.S.F MI60 R1/45 F.14		1
17	20072086	NUOVO V.S.F MI60 R1/45 F.19		1
17	20076121	NUOVO V.S.F MI60 R1/50 F.14		1
17	20062932	NUOVO V.S.F MI60 R1/50 F.19		1
17	20080176	NUOVO V.S.F MI60 R1/60 F.11		1
17	20062933	NUOVO V.S.F MI60 R1/60 F.14		1
17	20062934	NUOVO V.S.F MI60 R1/60 F.19		1
17	20062935	NUOVO V.S.F MI60 R1/80 F.14		1
17	20062936	NUOVO V.S.F MI60 R1/80 F.19		1
17	20062937	NUOVO V.S.F MI60 R1/100 F.14		1
17	20062938	NUOVO V.S.F MI60 R1/100 F.19		1
18	20076673	FLANGIA PIATTA I60		2
19	00001226	CUSCINETTO 32006 PAM14/160		1
19	00001226	CUSCINETTO 32006 PAM19/200		1
19	00001226	CUSCINETTO 32006 PAM14/105		1
19	00001226	CUSCINETTO 32006 PAM19/120		1
19	00038642	CUSCINETTO 51107 PAM24/200		1
19	00038642	CUSCINETTO 51107 PAM24/140		1

POS.	CODE	DESCRIPTION	MAT.	Q.TY
1	00001532	OIL SEAL 40. 56. 8 BASL		2
2	20061787	FOOT I60		2
3	20019328	GASKET I-MI 60		2
4	00001255	BEARING 6008		2
5	00062513	CAP D.55 S.10		1
6	00001441	SEEGER I 55 UNI 7437		1
7	00001226	BEARING 32006X		2
8	20056921	CROWN GEAR I-MI60 R1/7.5 ZI		1
8	20056923	CROWN GEAR I-MI60 R1/10 ZI		1
8	20046871	CROWN GEAR I-MI60 R1/15 ZI		1
8	20046875	CROWN GEAR I-MI60 R1/20 ZI		1
8	20046879	CROWN GEAR I-MI60 R1/25 ZI		1
8	20056922	CROWN GEAR I-MI60 R1/30 ZI		1
8	20046887	CROWN GEAR I-MI60 R1/40 ZI		1
8	20046912	CROWN GEAR I-MI60 R1/50 ZI		1
8	20046916	CROWN GEAR I-MI60 R1/60 ZI		1
8	20046920	CROWN GEAR I-MI60 R1/80 ZI		1
8	20046924	CROWN GEAR I-MI60 R1/100 ZI		1
9	20063442	BODY I60 MI60		1
10	20066751	GASKET MI60		1
11	00001788	NUT M10 UNI 5588		4
12	20063271	F.A.M D.105 B.14		1
12	20063272	F.A.M D.120 B.14		1
12	20063273	F.A.M D.140 F.24 - B.14		1
12	20064781	F.A.M D.140 F.14 - 19 -B.14		1
12	20063274	F.A.M D.160 F.14 - 19		1
12	20063275	F.A.M D.200 F.14 - 19		1
12	20063441	F.A.M D.200 F.24		1
13	00023550	SCREW T.E. M10.35 UNI 5739		4
14	00001513	OIL SEAL 30. 47. 7 BASL PAM 14/160		1
14	00001513	OIL SEAL 30. 47. 7 BASL PAM 19/200		1
14	00001513	OIL SEAL 30. 47. 7 BASL PAM 14/105		1
14	00001513	OIL SEAL 30. 47. 7 BASL PAM 19/120		1
14	00001523	OIL SEAL 35. 47. 7 BASL PAM 24/200		1
14	00001523	OIL SEAL 35. 47. 7 BASL PAM 24/140		1
15	00001720	SCREW T.E. M6 .18 UNI 5739		6
16	00022013	SCREW T.C.E.I M6 .18 UNI 5931		16

POS.	CODE	DESCRIPTION	MAT.	Q.TY
17	20062922	WORM SCREW MI60 R1/7.5 F.19		1
17	20062923	WORM SCREW MI60 R1/7.5 F.24		1
17	20062924	WORM SCREW MI60 R1/10 F.19		1
17	20062925	WORM SCREW MI60 R1/10 F.24		1
17	20062926	WORM SCREW MI60 R1/15 F.19		1
17	20062927	WORM SCREW MI60 R1/15 F.24		1
17	20062928	WORM SCREW MI60 R1/20 F.19		1
17	20064344	WORM SCREW MI60 R1/20 F.24		1
17	20062929	WORM SCREW MI60 R1/25 F.19		1
17	20079171	WORM SCREW MI60 R1/25 F.24		1
17	20076776	WORM SCREW MI60 R1/30 F.14		1
17	20062930	WORM SCREW MI60 R1/30 F.19		1
17	20066717	WORM SCREW MI60 R1/30 F.24		1
17	20064623	WORM SCREW MI60 R1/38 F.19		1
17	20062931	WORM SCREW MI60 R1/40 F.19		1
17	20079332	WORM SCREW MI60 R1/40 F.24		1
17	20062001	WORM SCREW MI60 R1/45 F.14		1
17	20072086	WORM SCREW MI60 R1/45 F.19		1
17	20076121	WORM SCREW MI60 R1/50 F.14		1
17	20062932	WORM SCREW MI60 R1/50 F.19		1
17	20080176	WORM SCREW MI60 R1/60 F.11		1
17	20062933	WORM SCREW MI60 R1/60 F.14		1
17	20062934	WORM SCREW MI60 R1/60 F.19		1
17	20062935	WORM SCREW MI60 R1/80 F.14		1
17	20062936	WORM SCREW MI60 R1/80 F.19		1
17	20062937	WORM SCREW MI60 R1/100 F.14		1
17	20062938	WORM SCREW MI60 R1/100 F.19		1
18	20076673	FLANGE I60		2
19	00001226	BEARING 32006 PAM14/160		1
19	00001226	BEARING 32006 PAM19/200		1
19	00001226	BEARING 32006 PAM14/105		1
19	00001226	BEARING 32006 PAM19/120		1
19	00038642	BEARING 51107 PAM24/200		1
19	00038642	BEARING 51107 PAM24/140		1

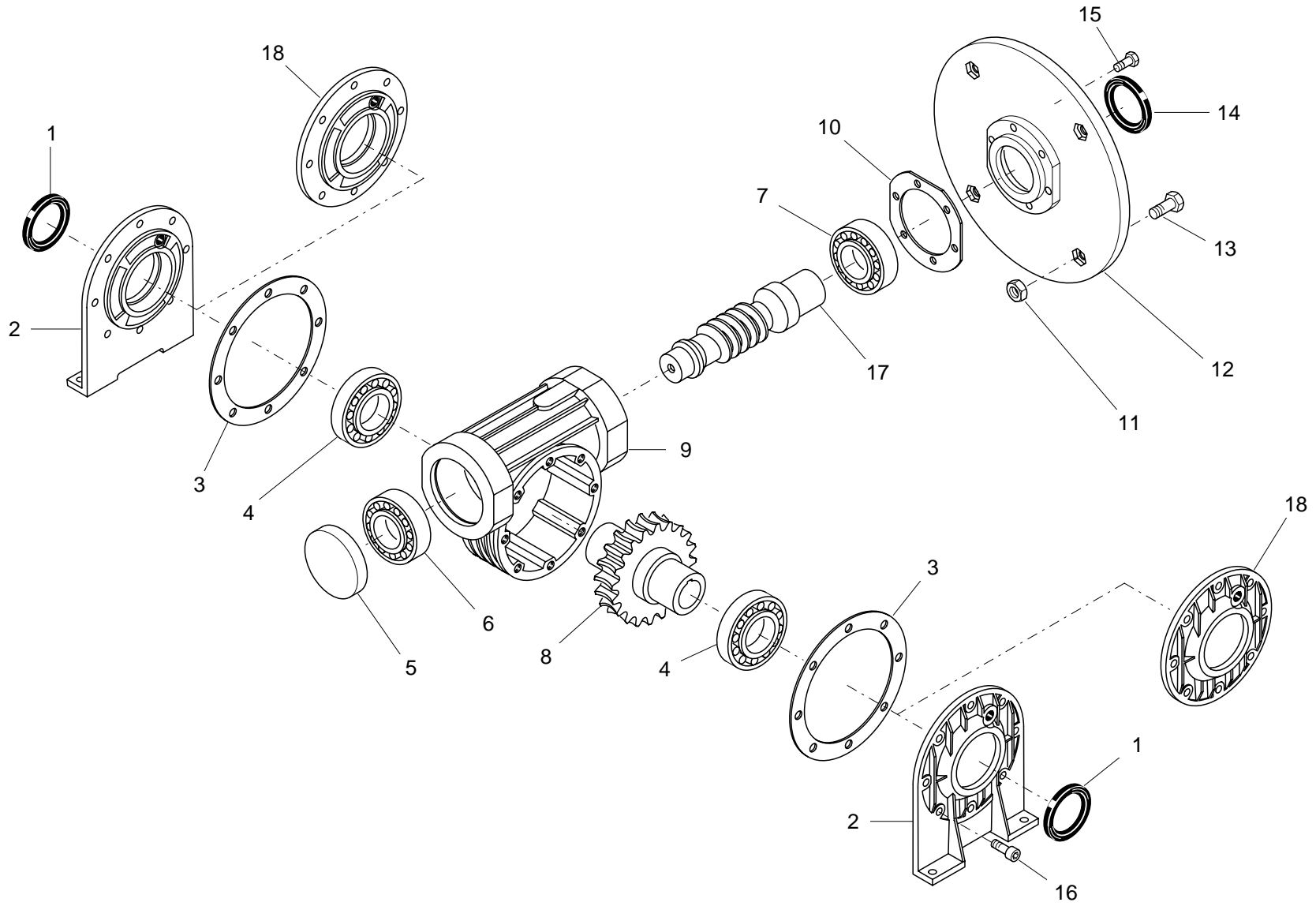


POS.	CODICE	DESCRIZIONE	MAT.	Q.TA'
1	00001543	AN. DI TENUTA 45. 60. 7 BASL		2
2	20062281	PIEDE I70		2
3	20003834	GUARN.ALB. LENTO I-MI 70		2
4	00001256	CUSCINETTO 6009		2
5	00028486	CAPPELLOTTO D.62 S.10		1
6	00001442	ANELLO SEEGER I 62 UNI 7437		1
7	00001219	CUSCINETTO 30305		1
8	20046928	CORONA I-MI70 R1/7.5 ZI		1
8	20046933	CORONA I-MI70 R1/10 ZI		1
8	20056899	CORONA I-MI70 R1/15 ZI		1
8	20056898	CORONA I-MI70 R1/20 ZI		1
8	20046948	CORONA I-MI70 R1/25 ZI		1
8	20046953	CORONA I-MI70 R1/30 ZI		1
8	20056900	CORONA I-MI70 R1/40 ZI		1
8	20046963	CORONA I-MI70 R1/50 ZI		1
8	20046967	CORONA I-MI70 R1/60 ZI		1
8	20056902	CORONA I-MI70 R1/80 ZI		1
8	20056901	CORONA I-MI70 R1/100 ZI		1
9	20060157	NUOVO CORPO I-MI 70		1
10	00087676	OR 2224		1
11	00001788	DADO ESAGONALE M10 UNI 5588		4
12	20064265	NUOVO F.A.M D.105 B.14		1
12	20063276	NUOVO F.A.M D.120 B.14		1
12	20063277	NUOVO F.A.M D.140 B.14		1
12	20063278	NUOVO F.A.M D.160 B.14		1
12	20063279	NUOVO F.A.M D.160		1
12	20063280	NUOVO F.A.M D.200		1
12	20063281	NUOVO F.A.M D.250		1
13	00023550	VITE T.E. M10.35 UNI 5739		4
14	00063415	AN. DI TENUTA 35. 55. 10 BASL PAM 14/160		1
14	00063415	AN. DI TENUTA 35. 55. 10 BASL PAM 19/200		1
14	00063415	AN. DI TENUTA 35. 55. 10 BASL PAM 24/200		1
14	00063415	AN. DI TENUTA 35. 55. 10 BASL PAM 14/105		1
14	00063415	AN. DI TENUTA 35. 55. 10 BASL PAM 19/120		1
14	00063415	AN. DI TENUTA 35. 55. 10 BASL PAM 24/140		1
14	00050319	AN. DI TENUTA 40. 55. 8 BASL PAM 28/250		1
14	00050319	AN. DI TENUTA 40. 55. 8 BASL PAM 28/160		1

POS.	CODICE	DESCRIZIONE	MAT.	Q.TA'
15	00001721	VITE T.E. M6 .20 UNI 5739		6
16	00024071	VITE T.C.E.I M8 .20 UNI 5931		16
17	00021300	CUSCINETTO 32007 PAM 14/160		1
17	00021300	CUSCINETTO 32007 PAM 19/200		1
17	00021300	CUSCINETTO 32007 PAM 24/200		1
17	00021300	CUSCINETTO 32007 PAM 14/105		1
17	00021300	CUSCINETTO 32007 PAM 19/120		1
17	00021300	CUSCINETTO 32007 PAM 24/140		1
17	00063467	CUSCINETTO 51108 PAM 28/250		1
17	00063467	CUSCINETTO 51108 PAM 28/160		1
18	20076541	GUARNIZIONE		1
19	20062950	NUOVO V.S.F MI70 R1/7.5 F.19		1
19	20062951	NUOVO V.S.F MI70 R1/7.5 F.24		1
19	20062952	NUOVO V.S.F MI70 R1/7.5 F.28		1
19	20062953	NUOVO V.S.F MI70 R1/10 F.19		1
19	20062954	NUOVO V.S.F MI70 R1/10 F.24		1
19	20062955	NUOVO V.S.F MI70 R1/10 F.28		1
19	20062956	NUOVO V.S.F MI70 R1/15 F.19		1
19	20062957	NUOVO V.S.F MI70 R1/15 F.24		1
19	20062958	NUOVO V.S.F MI70 R1/15 F.28		1
19	20062959	NUOVO V.S.F MI70 R1/20 F.19		1
19	20062960	NUOVO V.S.F MI70 R1/20 F.24		1
19	20062961	NUOVO V.S.F MI70 R1/25 F.19		1
19	20062962	NUOVO V.S.F MI70 R1/25 F.24		1
19	20062963	NUOVO V.S.F MI70 R1/30 F.19		1
19	20062964	NUOVO V.S.F MI70 R1/30 F.24		1
19	20062965	NUOVO V.S.F MI70 R1/40 F.19		1
19	20064722	NUOVO V.S.F MI70 R1/40 F.24		1
19	20062966	NUOVO V.S.F MI70 R1/50 F.19		1
19	20085246	NUOVO V.S.F MI70 R1/50 F.24		1
19	20062967	NUOVO V.S.F MI70 R1/60 F.14		1
19	20062968	NUOVO V.S.F MI70 R1/60 F.19		1
19	20062969	NUOVO V.S.F MI70 R1/80 F.14		1
19	20062970	NUOVO V.S.F MI70 R1/80 F.19		1
19	20062971	NUOVO V.S.F MI70 R1/100 F.14		1
19	20062972	NUOVO V.S.F MI70 R1/100 F.19		1
20	20076059	FLANGIA PIATTA I70		2

POS.	CODE	DESCRIPTION	MAT.	Q.TY
1	00001543	OIL SEAL 45. 60. 7 BASL		2
2	20062281	FOOT I70		2
3	20003834	GASKET I-MI 70		2
4	00001256	BEARING 6009		2
5	00028486	CAP D.62 S.10		1
6	00001442	SEEGER I 62 UNI 7437		1
7	00001219	BEARING 30305		1
8	20046928	CROWN GEAR I-MI70 R1/7.5 ZI		1
8	20046933	CROWN GEAR I-MI70 R1/10 ZI		1
8	20056899	CROWN GEAR I-MI70 R1/15 ZI		1
8	20056898	CROWN GEAR I-MI70 R1/20 ZI		1
8	20046948	CROWN GEAR I-MI70 R1/25 ZI		1
8	20046953	CROWN GEAR I-MI70 R1/30 ZI		1
8	20056900	CROWN GEAR I-MI70 R1/40 ZI		1
8	20046963	CROWN GEAR I-MI70 R1/50 ZI		1
8	20046967	CROWN GEAR I-MI70 R1/60 ZI		1
8	20056902	CROWN GEAR I-MI70 R1/80 ZI		1
8	20056901	CROWN GEAR I-MI70 R1/100 ZI		1
9	20060157	BODY I-MI 70		1
10	00087676	OR 2224		1
11	00001788	NUT M10 UNI 5588		4
12	20064265	F.A.M D.105 B.14		1
12	20063276	F.A.M D.120 B.14		1
12	20063277	F.A.M D.140 B.14		1
12	20063278	F.A.M D.160 B.14		1
12	20063279	F.A.M D.160		1
12	20063280	F.A.M D.200		1
12	20063281	F.A.M D.250		1
13	00023550	SCREW T.E. M10.35 UNI 5739		4
14	00063415	OIL SEAL 35. 55. 10 BASL PAM 14/160		1
14	00063415	OIL SEAL 35. 55. 10 BASL PAM 19/200		1
14	00063415	OIL SEAL 35. 55. 10 BASL PAM 24/200		1
14	00063415	OIL SEAL 35. 55. 10 BASL PAM 14/105		1
14	00063415	OIL SEAL 35. 55. 10 BASL PAM 19/120		1
14	00063415	OIL SEAL 35. 55. 10 BASL PAM 24/140		1
14	00050319	OIL SEAL 40. 55. 8 BASL PAM 28/250		1
14	00050319	OIL SEAL 40. 55. 8 BASL PAM 28/160		1

POS.	CODE	DESCRIPTION	MAT.	Q.TY
15	00001721	SCREW T.E. M6 .20 UNI 5739		6
16	00024071	SCREW T.C.E.I M8 .20 UNI 5931		16
17	00021300	BEARING 32007 PAM 14/160		1
17	00021300	BEARING 32007 PAM 19/200		1
17	00021300	BEARING 32007 PAM 24/200		1
17	00021300	BEARING 32007 PAM 14/105		1
17	00021300	BEARING 32007 PAM 19/120		1
17	00021300	BEARING 32007 PAM 24/140		1
17	00063467	BEARING 51108 PAM 28/250		1
17	00063467	BEARING 51108 PAM 28/160		1
18	20076541	GASKET		1
19	20062950	WORM SCREW MI70 R1/7.5 F.19		1
19	20062951	WORM SCREW MI70 R1/7.5 F.24		1
19	20062952	WORM SCREW MI70 R1/7.5 F.28		1
19	20062953	WORM SCREW MI70 R1/10 F.19		1
19	20062954	WORM SCREW MI70 R1/10 F.24		1
19	20062955	WORM SCREW MI70 R1/10 F.28		1
19	20062956	WORM SCREW MI70 R1/15 F.19		1
19	20062957	WORM SCREW MI70 R1/15 F.24		1
19	20062958	WORM SCREW MI70 R1/15 F.28		1
19	20062959	WORM SCREW MI70 R1/20 F.19		1
19	20062960	WORM SCREW MI70 R1/20 F.24		1
19	20062961	WORM SCREW MI70 R1/25 F.19		1
19	20062962	WORM SCREW MI70 R1/25 F.24		1
19	20062963	WORM SCREW MI70 R1/30 F.19		1
19	20062964	WORM SCREW MI70 R1/30 F.24		1
19	20062965	WORM SCREW MI70 R1/40 F.19		1
19	20064722	WORM SCREW MI70 R1/40 F.24		1
19	20062966	WORM SCREW MI70 R1/50 F.19		1
19	20085246	WORM SCREW MI70 R1/50 F.24		1
19	20062967	WORM SCREW MI70 R1/60 F.14		1
19	20062968	WORM SCREW MI70 R1/60 F.19		1
19	20062969	WORM SCREW MI70 R1/80 F.14		1
19	20062970	WORM SCREW MI70 R1/80 F.19		1
19	20062971	WORM SCREW MI70 R1/100 F.14		1
19	20062972	WORM SCREW MI70 R1/100 F.19		1
20	20076059	FLANGE		2

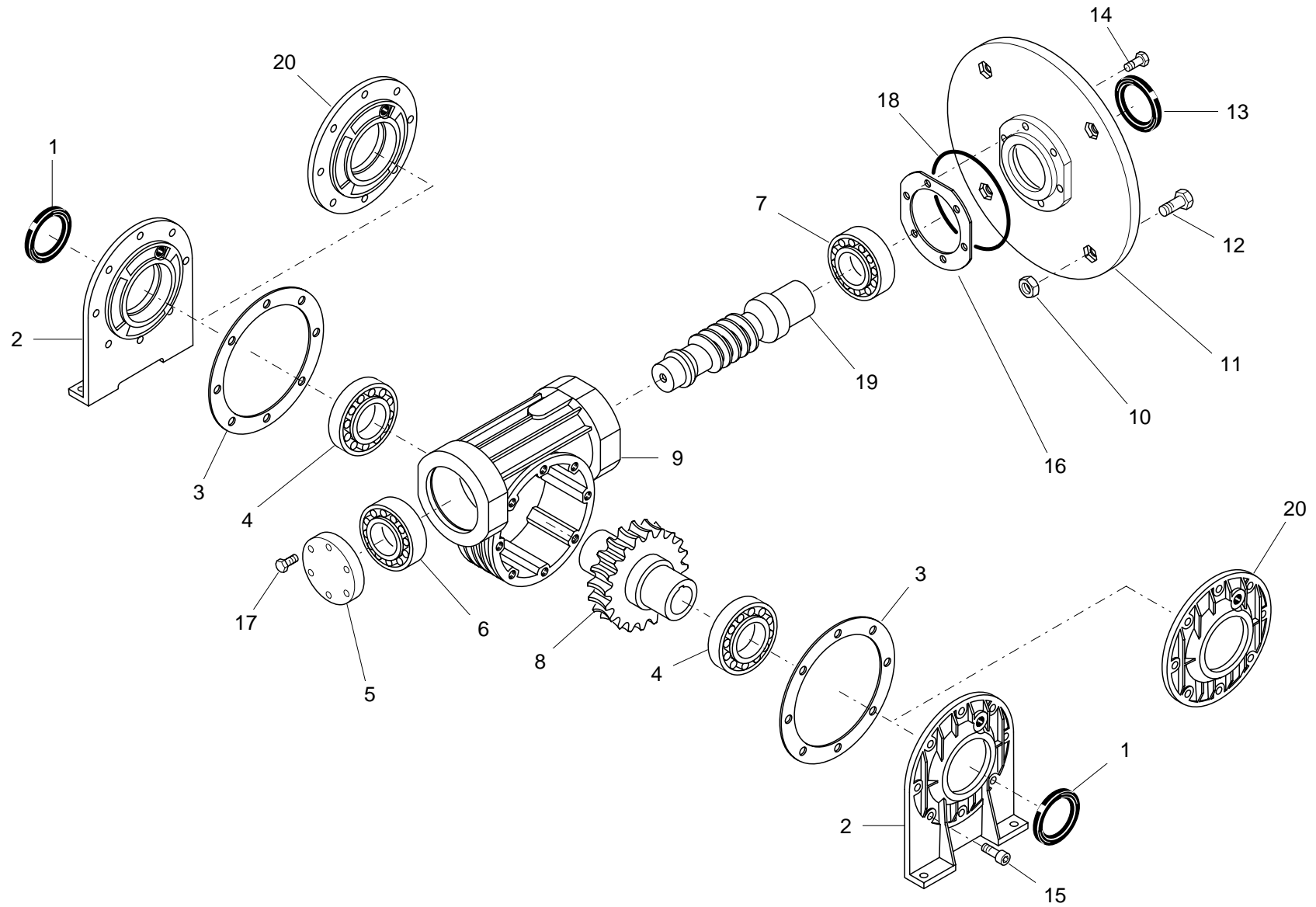


POS.	CODICE	DESCRIZIONE	MAT.	Q.TA'
1	00021681	AN. DI TENUTA 50. 65. 8 BASL		2
2	20019331	PIEDE I80		2
3	20019387	GUARN.ALB.LENTO I-MI 80		2
4	00021683	CUSCINETTO 6010		2
5	20019333	COPERCHIO CHIUSO I80		1
6	00001219	CUSCINETTO 30305		1
6	00001294	CUSCINETTO 6305 PAM 28/250		1
6	00001294	CUSCINETTO 6305 PAM 28/160		1
7	00021300	CUSCINETTO 32007X		1
7	00066955	CUSCINETTO 61908 PAM 28/250		1
7	00066955	CUSCINETTO 61908 PAM 28/160		1
8	20067858	CORONA I-MI80 R1/7.5 ZI		1
8	20067859	CORONA I-MI80 R1/10 ZI		1
8	20067860	CORONA I-MI80 R1/15 ZI		1
8	20067861	CORONA I-MI80 R1/20 ZI		1
8	20067862	CORONA I-MI80 R1/25 ZI		1
8	20067863	CORONA I-MI80 R1/30 ZI		1
8	20067864	CORONA I-MI80 R1/40 ZI		1
8	20067865	CORONA I-MI80 R1/50 ZI		1
8	20067866	CORONA I-MI80 R1/60 ZI		1
8	20067867	CORONA I-MI80 R1/80 ZI		1
8	20067868	CORONA I-MI80 R1/100 ZI		1
9	20019330	CORPO I80		1
10	20019388	GUARN. ALBERO VELOCE		1
11	00001788	DADO ESAGONALE M10 UNI 5588		4
12	20022075	F.A.M D.120 B.14		1
12	20022076	F.A.M D.140 B.14		1
12	20019337	F.A.M D.160		1
12	20019338	F.A.M D.200		1
12	20069534	F.A.M D.250		1
12	20077647	F.A.M D.200 F.28		1
13	00023550	VITE T.E. M10X35 UNI 5739		4
14	00001524	AN. DI TENUTA 35. 50. 7 BASL		1
15	00001720	VITE T.E. M6 .18 UNI 5739		6
16	00001729	VITE T.E. M8 .20 UNI 5739		16
17	20067820	V.S.F MI80 R1/7.5 F.24 ZI		1
17	20067822	V.S.F MI80 R1/7.5 F.28 ZI		1

POS.	CODICE	DESCRIZIONE	MAT.	Q.TA'
17	20067824	V.S.F MI80 R1/10 F.24 ZI		1
17	20067826	V.S.F MI80 R1/10 F.28 ZI		1
17	20067828	V.S.F MI80 R1/15 F.24 ZI		1
17	20067830	V.S.F MI80 R1/15 F.28 ZI		1
17	20067832	V.S.F MI80 R1/20 F.24 ZI		1
17	20067834	V.S.F MI80 R1/20 F.28 ZI		1
17	20067836	V.S.F MI80 R1/25 F.24 ZI		1
17	20076992	V.S.F MI80 R1/25 F.28 ZI		1
17	20080318	V.S.F MI80 R1/30 F.16 ZI		1
17	20067838	V.S.F MI80 R1/30 F.24 ZI		1
17	20085327	V.S.F MI80 R1/30 ZI F.28		1
17	20067840	V.S.F MI80 R1/40 F.24 ZI		1
17	20067842	V.S.F MI80 R1/50 F.19 ZI		1
17	20067844	V.S.F MI80 R1/50 F.24 ZI		1
17	20085250	V.S.F MI80 R1/50 ZI F.28		1
17	20067846	V.S.F MI80 R1/60 F.19 ZI		1
17	20067848	V.S.F MI80 R1/60 F.24 ZI		1
17	20067850	V.S.F MI80 R1/80 F.19 ZI		1
17	20067852	V.S.F MI80 R1/80 F.24 ZI		1
17	20067854	V.S.F MI80 R1/100 F.19 ZI		1
17	20067856	V.S.F MI80 R1/100 F.24 ZI		1
18	20019386	FLANGIA PIATTA I80		2

POS.	CODE	DESCRIPTION	MAT.	Q.TY
1	00021681	OIL SEAL 50. 65. 8 BASL		2
2	20019331	FOOT I80		2
3	20019387	GASKET I-MI 80		2
4	00021683	BEARING 6010		2
5	20019333	COVER I80		1
6	00001219	BEARING 30305		1
6	00001294	BEARING 6305 PAM 28/250		1
6	00001294	BEARING 6305 PAM 28/160		1
7	00021300	BEARING 32007X		1
7	00066955	BEARING 61908 PAM 28/250		1
7	00066955	BEARING 61908 PAM 28/160		1
8	20067858	CROWN GEAR I-MI80 R1/7.5 ZI		1
8	20067859	CROWN GEAR I-MI80 R1/10 ZI		1
8	20067860	CROWN GEAR I-MI80 R1/15 ZI		1
8	20067861	CROWN GEAR I-MI80 R1/20 ZI		1
8	20067862	CROWN GEAR I-MI80 R1/25 ZI		1
8	20067863	CROWN GEAR I-MI80 R1/30 ZI		1
8	20067864	CROWN GEAR I-MI80 R1/40 ZI		1
8	20067865	CROWN GEAR I-MI80 R1/50 ZI		1
8	20067866	CROWN GEAR I-MI80 R1/60 ZI		1
8	20067867	CROWN GEAR I-MI80 R1/80 ZI		1
8	20067868	CROWN GEAR I-MI80 R1/100 ZI		1
9	20019330	BODY I80		1
10	20019388	GASKET		1
11	00001788	NUT M10 UNI 5588		4
12	20022075	F.A.M D.120 B.14		1
12	20022076	F.A.M D.140 B.14		1
12	20019337	F.A.M D.160		1
12	20019338	F.A.M D.200		1
12	20069534	F.A.M D.250		1
12	20077647	F.A.M D.200 F.28		1
13	00023550	SCREW T.E. M10X35 UNI 5739		4
14	00001524	OIL SEAL 35. 50. 7 BASL		1
15	00001720	SCREW T.E. M6 .18 UNI 5739		6
16	00001729	SCREW T.E. M8 .20 UNI 5739		16
17	20067820	WORM SCREW MI80 R1/7.5 F.24 ZI		1
17	20067822	WORM SCREW MI80 R1/7.5 F.28 ZI		1

POS.	CODE	DESCRIPTION	MAT.	Q.TY
17	20067824	WORM SCREW MI80 R1/10 F.24 ZI		1
17	20067826	WORM SCREW MI80 R1/10 F.28 ZI		1
17	20067828	WORM SCREW MI80 R1/15 F.24 ZI		1
17	20067830	WORM SCREW MI80 R1/15 F.28 ZI		1
17	20067832	WORM SCREW MI80 R1/20 F.24 ZI		1
17	20067834	WORM SCREW MI80 R1/20 F.28 ZI		1
17	20067836	WORM SCREW MI80 R1/25 F.24 ZI		1
17	20076992	WORM SCREW MI80 R1/25 F.28 ZI		1
17	20080318	WORM SCREW MI80 R1/30 F.16 ZI		1
17	20067838	WORM SCREW MI80 R1/30 F.24 ZI		1
17	20085327	WORM SCREW MI80 R1/30 ZI F.28		1
17	20067840	WORM SCREW MI80 R1/40 F.24 ZI		1
17	20067842	WORM SCREW MI80 R1/50 F.19 ZI		1
17	20067844	WORM SCREW MI80 R1/50 F.24 ZI		1
17	20085250	WORM SCREW MI80 R1/50 ZI F.28		1
17	20067846	WORM SCREW MI80 R1/60 F.19 ZI		1
17	20067848	WORM SCREW MI80 R1/60 F.24 ZI		1
17	20067850	WORM SCREW MI80 R1/80 F.19 ZI		1
17	20067852	WORM SCREW MI80 R1/80 F.24 ZI		1
17	20067854	WORM SCREW MI80 R1/100 F.19 ZI		1
17	20067856	WORM SCREW MI80 R1/100 F.24 ZI		1
18	20019386	FLANGE I80		2

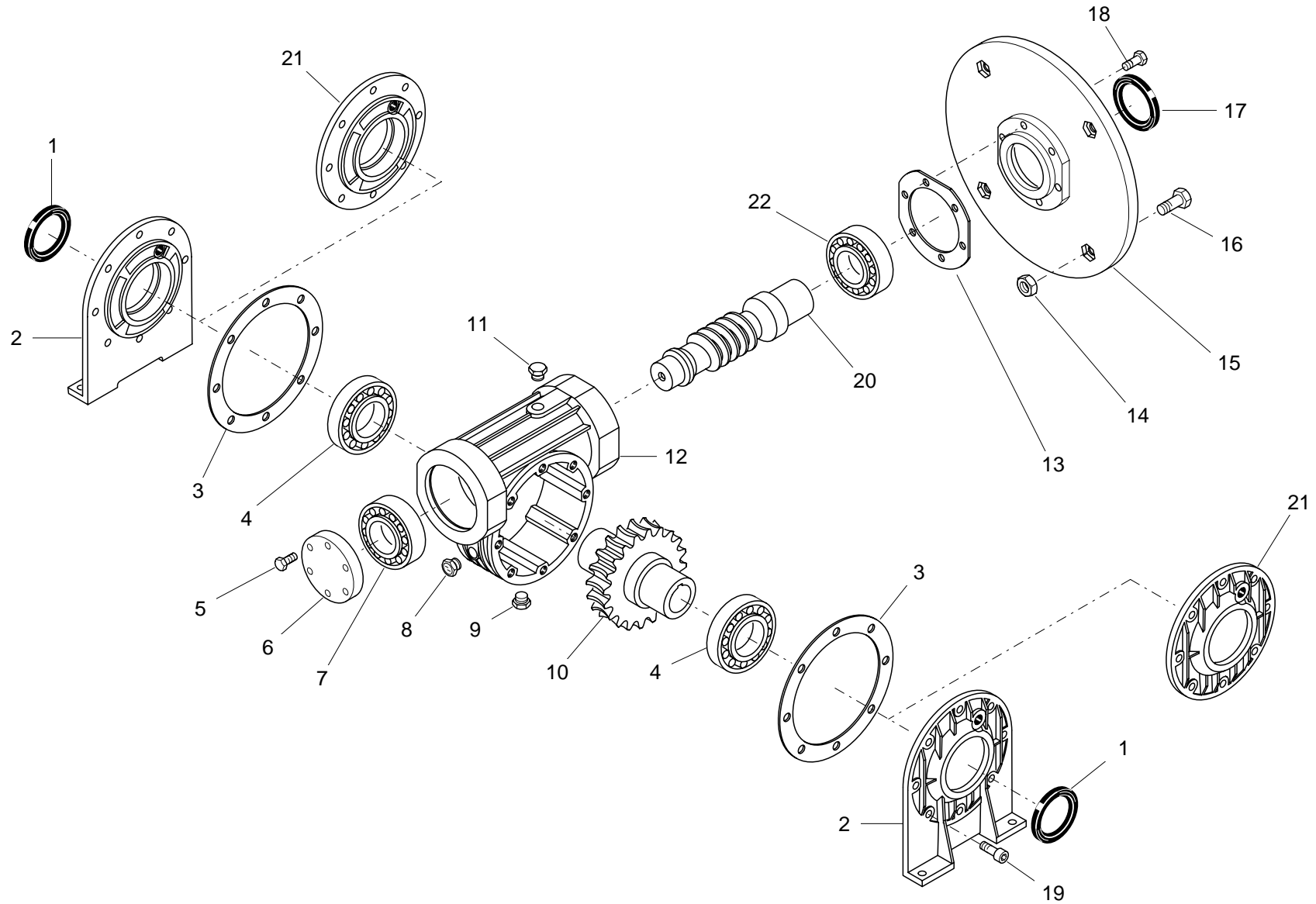


POS.	CODICE	DESCRIZIONE	MAT.	Q.TA'
1	00001555	AN. DI TENUTA 55. 72. 10 BASL		2
2	20003928	PIEDE I90		2
3	20003954	GUARN.ALB. LENTO I-MI 90		2
4	00001257	CUSCINETTO 6011		2
5	20003941	COPERCHIO CHIUSO I90		1
6	00001220	CUSCINETTO 30306		1
7	00001212	CUSCINETTO 30207		1
7	00038643	CUSCINETTO 51208 PAM 28/250		1
7	00038643	CUSCINETTO 51208 PAM 28/160		1
8	20003904	CORONA I90 R1/7.5		1
8	20003905	CORONA I90 R1/10		1
8	20003908	CORONA I90 R1/15		1
8	20003909	CORONA I90 R1/20		1
8	20003910	CORONA I90 R1/25		1
8	20003911	CORONA I90 R1/30		1
8	20003913	CORONA I90 R1/40		1
8	20003918	CORONA I90 R1/50		1
8	20003921	CORONA I90 R1/60		1
8	20041533	CORONA I90 R1/70		1
8	20003922	CORONA I90 R1/80		1
8	20003925	CORONA I90 R1/100		1
9	20003927	CORPO I90		1
10	00001788	DADO ESAGONALE M10 UNI 5588		4
11	20003836	F.A.M D.120 B.14		1
11	20003837	F.A.M D.140 B.14		1
11	20003943	F.A.M D.160 B.14 PER FORO 19 - 24		1
11	20041921	F.A.M D.160 B.14 PER FORO 28		1
11	20003946	F.A.M D.200		1
11	20003949	F.A.M D.250		1
12	00023550	VITE T.E. M10.35 UNI 5739		4
13	00001526	AN. DI TENUTA 35. 60. 10		1
13	00001534	AN. DI TENUTA 40. 60. 7		1
14	00001719	VITE T.E. M6 .16 UNI 5739		6
15	00001729	VITE T.E. M8 .20 UNI 5739		16
16	20003955	GUARN.ALB.VELOCE I-MI 90		2
17	00001720	VITE T.E. M6 .18 UNI 5739		6
18	00084273	GUARNIZIONE		1

POS.	CODICE	DESCRIZIONE	MAT.	Q.TA'
19	20003840	V.S.F I90 R1/7.5		1
19	20003883	V.S.F I90 R1/7.5 F.24		1
19	20038188	V.S.F I90 R1/7.5 F.28		1
19	20003842	V.S.F I90 R1/10		1
19	20003885	V.S.F I90 R1/10 F.24		1
19	20038189	V.S.F I90 R1/10 F.28		1
19	20003845	V.S.F I90 R1/15		1
19	20003887	V.S.F I90 R1/15 F.24		1
19	20038190	V.S.F I90 R1/15 F.28		1
19	20003848	V.S.F I90 R1/20		1
19	20003889	V.S.F I90 R1/20 F.24		1
19	20038191	V.S.F I90 R1/20 F.28		1
19	20003850	V.S.F I90 R1/25		1
19	20003891	V.S.F I90 R1/25 F.24		1
19	20038192	V.S.F I90 R1/25 F.28		1
19	20003852	V.S.F I90 R1/30		1
19	20003893	V.S.F I90 R1/30 F.24		1
19	20038193	V.S.F I90 R1/30 F.28		1
19	20003855	V.S.F I90 R1/40		1
19	20003894	V.S.F I90 R1/40 F.24		1
19	20061511	V.S.F I90 R1/40 F.28		1
19	20003860	V.S.F I90 R1/50		1
19	20003896	V.S.F I90 R1/50 F.24		1
19	20003864	V.S.F I90 R1/60		1
19	20003878	V.S.F I90 R1/60 F.19		1
19	20003898	V.S.F I90 R1/60 F.24		1
19	20041534	V.S.F I90 R1/70		1
19	20003866	V.S.F I90 R1/80		1
19	20003879	V.S.F I90 R1/80 F.19		1
19	20003900	V.S.F I90 R1/80 F.24		1
19	20003867	V.S.F I90 R1/100		1
19	20003881	V.S.F I90 R1/100 F.19		1
19	20003902	V.S.F I90 R1/100 F.24		1
20	20022387	FLANGIA PIATTA I90		2

POS.	CODE	DESCRIPTION	MAT.	Q.TY
1	00001555	OIL SEAL 55. 72. 10 BASL		2
2	20003928	FOOT I90		2
3	20003954	GASKET I-MI 90		2
4	00001257	BEARING 6011		2
5	20003941	COVER I90		1
6	00001220	BEARING 30306		1
7	00001212	BEARING 30207		1
7	00038643	BEARING 51208 PAM 28/250		1
7	00038643	BEARING 51208 PAM 28/160		1
8	20003904	CROWN GEAR I90 R1/7.5		1
8	20003905	CROWN GEAR I90 R1/10		1
8	20003908	CROWN GEAR I90 R1/15		1
8	20003909	CROWN GEAR I90 R1/20		1
8	20003910	CROWN GEAR I90 R1/25		1
8	20003911	CROWN GEAR I90 R1/30		1
8	20003913	CROWN GEAR I90 R1/40		1
8	20003918	CROWN GEAR I90 R1/50		1
8	20003921	CROWN GEAR I90 R1/60		1
8	20041533	CROWN GEAR I90 R1/70		1
8	20003922	CROWN GEAR I90 R1/80		1
8	20003925	CROWN GEAR I90 R1/100		1
9	20003927	BODY I90		1
10	00001788	NUT M10 UNI 5588		4
11	20003836	F.A.M D.120 B.14		1
11	20003837	F.A.M D.140 B.14		1
11	20003943	F.A.M D.160 B.14 PER FORO 19 - 24		1
11	20041921	F.A.M D.160 B.14 PER FORO 28		1
11	20003946	F.A.M D.200		1
11	20003949	F.A.M D.250		1
12	00023550	SCREW T.E. M10.35 UNI 5739		4
13	00001526	OIL SEAL 35. 60. 10		1
13	00001534	OIL SEAL 40. 60. 7		1
14	00001719	SCREW T.E. M6 .16 UNI 5739		6
15	00001729	SCREW T.E. M8 .20 UNI 5739		16
16	20003955	GASKET I-MI 90		2
17	00001720	SCREW T.E. M6 .18 UNI 5739		6
18	00084273	GASKET		1

POS.	CODE	DESCRIPTION	MAT.	Q.TY
19	20003840	WORM SCREW I90 R1/7.5		1
19	20003883	WORM SCREW I90 R1/7.5 F.24		1
19	20038188	WORM SCREW I90 R1/7.5 F.28		1
19	20003842	WORM SCREW I90 R1/10		1
19	20003885	WORM SCREW I90 R1/10 F.24		1
19	20038189	WORM SCREW I90 R1/10 F.28		1
19	20003845	WORM SCREW I90 R1/15		1
19	20003887	WORM SCREW I90 R1/15 F.24		1
19	20038190	WORM SCREW I90 R1/15 F.28		1
19	20003848	WORM SCREW I90 R1/20		1
19	20003889	WORM SCREW I90 R1/20 F.24		1
19	20038191	WORM SCREW I90 R1/20 F.28		1
19	20003850	WORM SCREW I90 R1/25		1
19	20003891	WORM SCREW I90 R1/25 F.24		1
19	20038192	WORM SCREW I90 R1/25 F.28		1
19	20003852	WORM SCREW I90 R1/30		1
19	20003893	WORM SCREW I90 R1/30 F.24		1
19	20038193	WORM SCREW I90 R1/30 F.28		1
19	20003855	WORM SCREW I90 R1/40		1
19	20003894	WORM SCREW I90 R1/40 F.24		1
19	20061511	WORM SCREW I90 R1/40 F.28		1
19	20003860	WORM SCREW I90 R1/50		1
19	20003896	WORM SCREW I90 R1/50 F.24		1
19	20003864	WORM SCREW I90 R1/60		1
19	20003878	WORM SCREW I90 R1/60 F.19		1
19	20003898	WORM SCREW I90 R1/60 F.24		1
19	20041534	WORM SCREW I90 R1/70		1
19	20003866	WORM SCREW I90 R1/80		1
19	20003879	WORM SCREW I90 R1/80 F.19		1
19	20003900	WORM SCREW I90 R1/80 F.24		1
19	20003867	WORM SCREW I90 R1/100		1
19	20003881	WORM SCREW I90 R1/100 F.19		1
19	20003902	WORM SCREW I90 R1/100 F.24		1
20	20022387	FLANGE I90		2

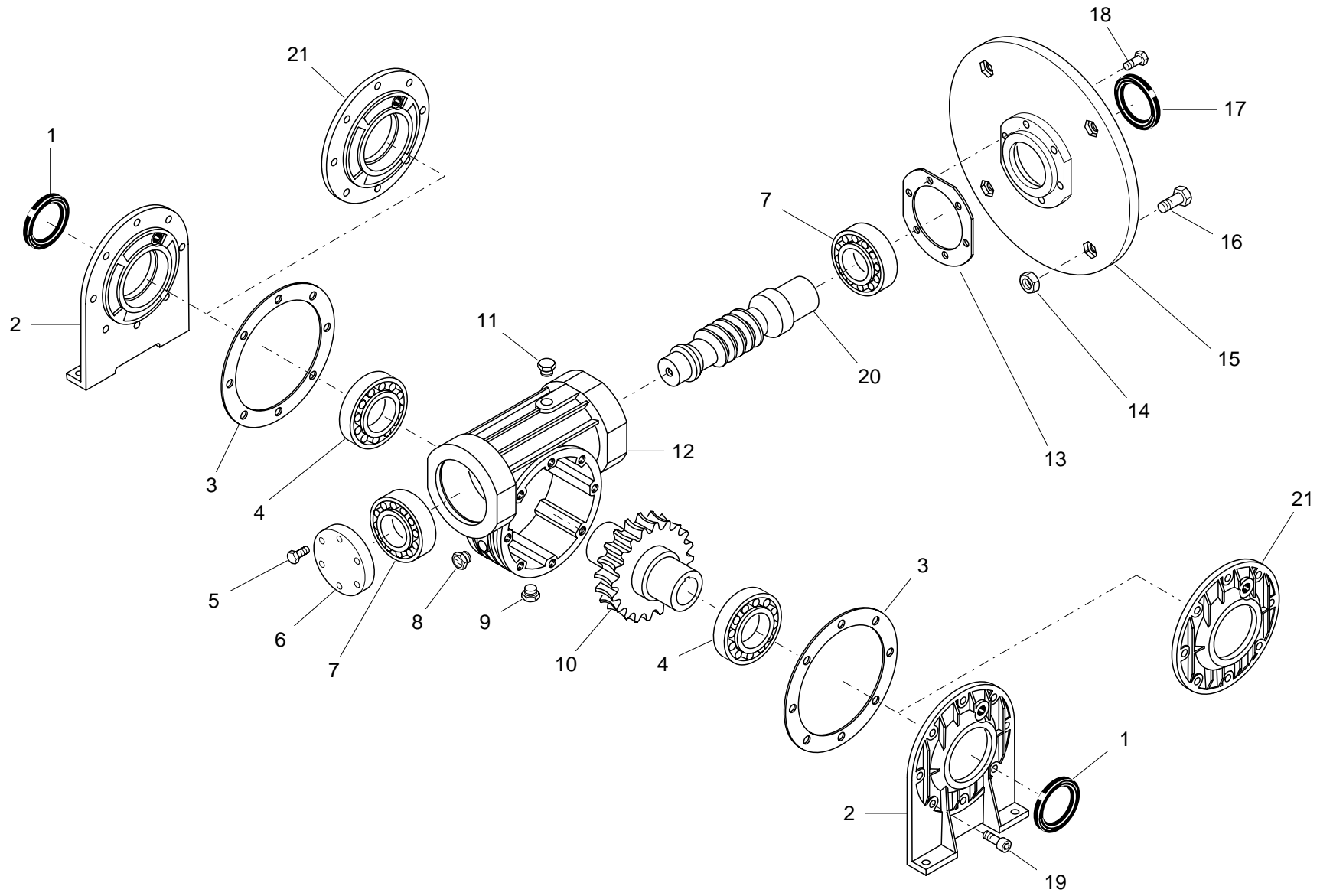


POS.	CODICE	DESCRIZIONE	MAT.	Q.TA'
1	00001563	AN. DI TENUTA 60. 80. 10 BASL		2
2	20004044	PIEDE I110		2
3	20004065	GUARN.ALB. LENTO I-MI 110		2
4	00001258	CUSCINETTO 6012		2
5	00001719	VITE T.E. M6 .16 UNI 5739		6
6	20004054	COPERCHIO CHIUSO I110		1
7	00001221	CUSCINETTO 30307		2
8	00043064	TAPPO LIVELLO OLIO 1/2 GAS		1
9	00036151	TAPPO CHIUSO SCARICO 1/2 GAS		1
10	20004022	CORONA I110 R1/7.5		1
10	20004024	CORONA I110 R1/10		1
10	20004026	CORONA I110 R1/15		1
10	20004028	CORONA I110 R1/20		1
10	20004029	CORONA I110 R1/25		1
10	20004032	CORONA I110 R1/30		1
10	20004033	CORONA I110 R1/40		1
10	20004035	CORONA I110 R1/50		1
10	20034342	CORONA I110 R1/60		1
10	20077970	CORONA I110 R1/80		1
10	20076061	CORONA I110 R1/100 ZI		1
11	00076967	TAPPO SFIATO VALVOLA 1/2		1
12	20004043	CORPO I110		1
13	20004066	GUARN.ALB.VELOCE I-MI 110		1
14	00001790	DADO ESAGONALE M12		4
15	20003956	F.A.M D.140 B.14		1
15	20003957	F.A.M D.160 B.14		1
15	20004057	F.A.M D.200		1
15	20004059	F.A.M D.250		1
16	00001690	VITE T.E. M12 .40 UNI 5739		4
17	00001533	AN. DI TENUTA 40. 60. 10 BASL		1
18	00001721	VITE T.E. M6 .20 UNI 5739		6
19	00001681	VITE T.E. M10.25		16
20	20086990	NUOVO V.S.F I110 R1/15		1
20	20086992	NUOVO V.S.F I110 R1/15 F.28		1
20	20086991	NUOVO V.S.F I110 R1/15 ZI F.24		1
20	20003961	V.S.F I110 R1/7.5		1
20	20004003	V.S.F I110 R1/7.5 F.28		1

POS.	CODICE	DESCRIZIONE	MAT.	Q.TA'
20	20003963	V.S.F I110 R1/10		1
20	20004004	V.S.F I110 R1/10 F.28		1
20	20003965	V.S.F I110 R1/15		1
20	20082165	V.S.F I110 R1/15 F.24		1
20	20004005	V.S.F I110 R1/15 F.28		1
20	20003967	V.S.F I110 R1/20		1
20	20004007	V.S.F I110 R1/20 F.28		1
20	20003970	V.S.F I110 R1/25		1
20	20004009	V.S.F I110 R1/25 F.28		1
20	20003975	V.S.F I110 R1/30		1
20	20082161	V.S.F I110 R1/30 F.24		1
20	20004011	V.S.F I110 R1/30 F.28		1
20	20003977	V.S.F I110 R1/40		1
20	20004012	V.S.F I110 R1/40 F.28		1
20	20003980	V.S.F I110 R1/50		1
20	20003996	V.S.F I110 R1/50 F.24		1
20	20004013	V.S.F I110 R1/50 F.28		1
20	20034344	V.S.F I110 R1/60 F.24 DIS.84408		1
20	20034345	V.S.F I110 R1/60 F.28 DIS.84409		1
20	20077972	V.S.F I110 R1/80 F.24 ZI		1
20	20077973	V.S.F I110 R1/80 F.28 ZI		1
20	20077971	V.S.F I110 R1/80 ZI		1
20	20076060	V.S.F I110 R1/100 F.24 ZI		1
20	20076520	V.S.F I110 R1/100 F.28 ZI		1
20	20076523	V.S.F I110 R1/100 ZI		1
21	20022458	FLANGIA PIATTA I110		2
22	00001213	CUSCINETTO 30208		1

POS.	CODE	DESCRIPTION	MAT.	Q.TY
1	00001563	OIL SEAL 60. 80. 10 BASL		2
2	20004044	FOOT I110		2
3	20004065	GASKET I-MI 110		2
4	00001258	BEARING 6012		2
5	00001719	SCREW T.E. M6 .16 UNI 5739		6
6	20004054	COVER I110		1
7	00001221	BEARING 30307		2
8	00043064	PLUG 1/2 GAS		1
9	00036151	PLUG 1/2 GAS		1
10	20004022	CROWN GEAR I110 R1/7.5		1
10	20004024	CROWN GEAR I110 R1/10		1
10	20004026	CROWN GEAR I110 R1/15		1
10	20004028	CROWN GEAR I110 R1/20		1
10	20004029	CROWN GEAR I110 R1/25		1
10	20004032	CROWN GEAR I110 R1/30		1
10	20004033	CROWN GEAR I110 R1/40		1
10	20004035	CROWN GEAR I110 R1/50		1
10	20034342	CROWN GEAR I110 R1/60		1
10	20077970	CROWN GEAR I110 R1/80		1
10	20076061	CROWN GEAR I110 R1/100 ZI		1
11	00076967	PLUG 1/2		1
12	20004043	BODY I110		1
13	20004066	GASKET I-MI 110		1
14	00001790	NUT M12		4
15	20003956	F.A.M D.140 B.14		1
15	20003957	F.A.M D.160 B.14		1
15	20004057	F.A.M D.200		1
15	20004059	F.A.M D.250		1
16	00001690	SCREW T.E. M12 .40 UNI 5739		4
17	00001533	OIL SEAL 40. 60. 10 BASL		1
18	00001721	SCREW T.E. M6 .20 UNI 5739		6
19	00001681	SCREW T.E. M10.25		16
20	20003961	WORM SCREW I110 R1/7.5		1
20	20004003	WORM SCREW I110 R1/7.5 F.28		1
20	20003963	WORM SCREW I110 R1/10		1
20	20004004	WORM SCREW I110 R1/10 F.28		1
20	20003965	WORM SCREW I110 R1/15		1

POS.	CODE	DESCRIPTION	MAT.	Q.TY
20	20082165	WORM SCREW I110 R1/15 F.24		1
20	20004005	WORM SCREW I110 R1/15 F.28		1
20	20003967	WORM SCREW I110 R1/20		1
20	20004007	WORM SCREW I110 R1/20 F.28		1
20	20003970	WORM SCREW I110 R1/25		1
20	20004009	WORM SCREW I110 R1/25 F.28		1
20	20003975	WORM SCREW I110 R1/30		1
20	20082161	WORM SCREW I110 R1/30 F.24		1
20	20004011	WORM SCREW I110 R1/30 F.28		1
20	20003977	WORM SCREW I110 R1/40		1
20	20004012	WORM SCREW I110 R1/40 F.28		1
20	20003980	WORM SCREW I110 R1/50		1
20	20003996	WORM SCREW I110 R1/50 F.24		1
20	20004013	WORM SCREW I110 R1/50 F.28		1
20	20034344	WORM SCREW I110 R1/60 F.24 DIS.84408		1
20	20034345	WORM SCREW I110 R1/60 F.28 DIS.84409		1
20	20077972	WORM SCREW I110 R1/80 F.24 ZI		1
20	20077973	WORM SCREW I110 R1/80 F.28 ZI		1
20	20077971	WORM SCREW I110 R1/80 ZI		1
20	20076060	WORM SCREW I110 R1/100 F.24 ZI		1
20	20076520	WORM SCREW I110 R1/100 F.28 ZI		1
20	20076523	WORM SCREW I110 R1/100 ZI		1
20	20086990	WORM SCREW I110 R1/15		1
20	20086992	WORM SCREW I110 R1/15 F.28		1
20	20086991	WORM SCREW I110 R1/15 ZI F.24		1
21	20022458	FLANGE I110		2
22	00001213	BEARING 30208		1

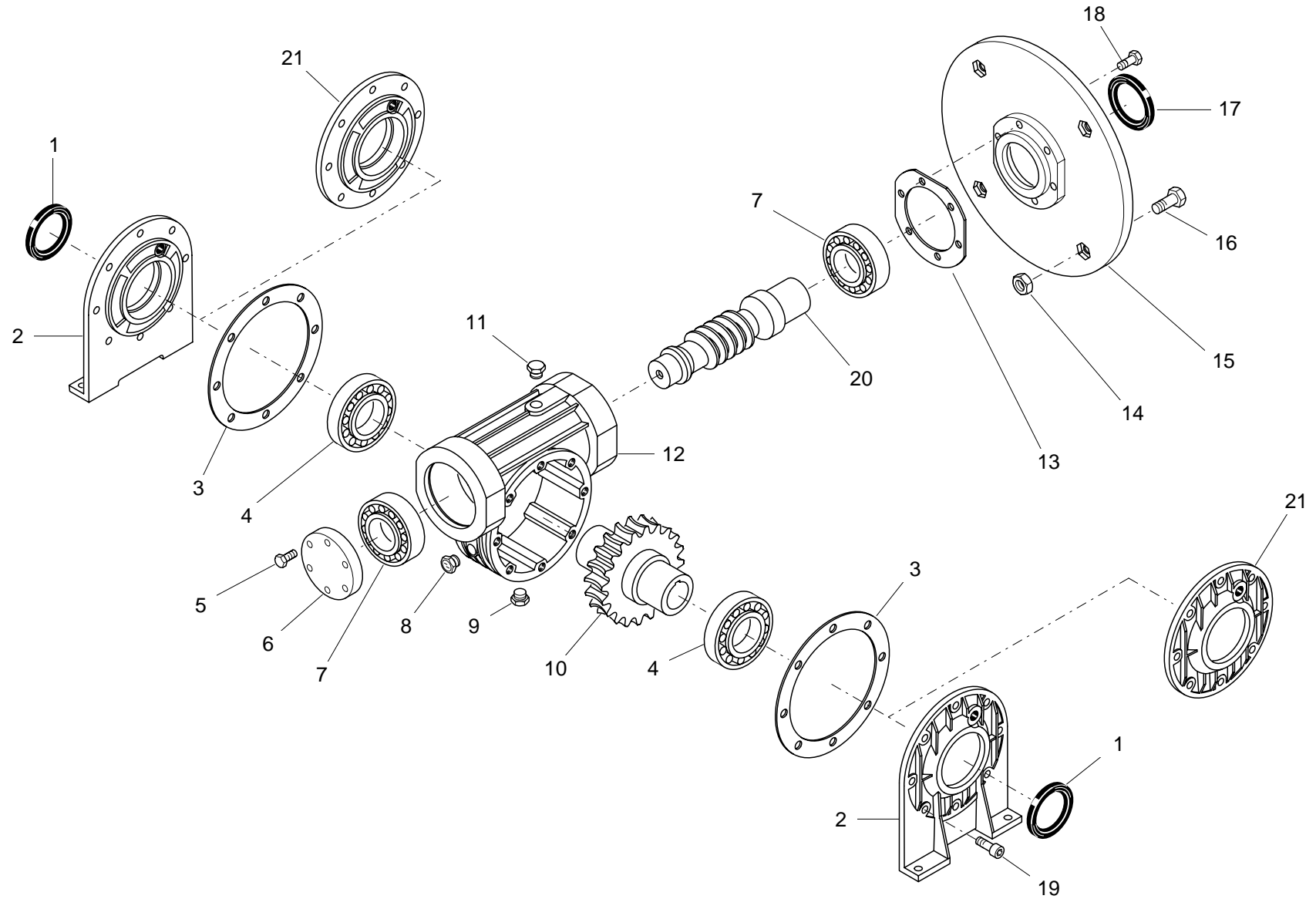


POS.	CODICE	DESCRIZIONE	MAT.	Q.TA'
1	00001566	AN. DI TENUTA 70. 90. 10 BASL		2
2	20004131	PIEDE I130		2
3	20004144	GUARN.ALB.LENTO I-MI130		2
4	00001259	CUSCINETTO 6014		2
5	00001719	VITE T.E. M6 .16 UNI 5739		6
6	20004138	COPERCHIO CHIUSO I130		1
7	00001237	CUSCINETTO 32209		2
8	00043064	TAPPO LIVELLO OLIO 1/2 GAS (CH.27)		1
9	00036151	TAPPO CHIUSO SCARICO 1/2 GAS AVP + ETICH		1
10	20004119	CORONA I130 R1/7.5		1
10	20004120	CORONA I130 R1/10		1
10	20004121	CORONA I130 R1/15		1
10	20004122	CORONA I130 R1/20		1
10	20004123	CORONA I130 R1/25		1
10	20004124	CORONA I130 R1/30		1
10	20004125	CORONA I130 R1/40		1
10	20004126	CORONA I130 R1/50		1
10	20004130	CORONA I130 R1/60		1
10	20078676	CORONA I130 R1/80		1
10	20077974	CORONA I130 R1/100		1
11	00076967	TAPPO SFIATO VALVOLA 1/2		1
12	20004130	CORPO I130		1
13	20004145	GUARN.ALB.VELOCE I-MI130		2
14	00001790	DADO ESAGONALE M12 UNI 5588		4
15	20080167	F.A.M I130 D.140 B.14		1
15	20004068	F.A.M I130 D.160 B.14		1
15	20004140	F.A.M I130 D.200		1
15	20004161	F.A.M I130 D.250		1
15	20079613	F.A.M I130 D.300		1
16	00001764	PRIGION. M12.30 UNI 5909 L.TOT.4 2		4
17	00001549	AN. DI TENUTA 45. 72. 10		1
18	00001721	VITE T.E. M6 .20 UNI 5739		6
19	00001681	VITE T.E. M10.25 UNI 5739		16
20	20004073	V.S.F I130 R1/7.5		1
20	20004105	V.S.F I130 R1/7.5 F.28		1
20	20088629	V.S.F I130 R1/7.5 F.38		1
20	20004075	V.S.F I130 R1/10		1

POS.	CODICE	DESCRIZIONE	MAT.	Q.TA'
20	20004106	V.S.F I130 R1/10 F.28		1
20	20088626	V.S.F I130 R1/10 F.38		1
20	20004077	V.S.F I130 R1/15		1
20	20004107	V.S.F I130 R1/15 F.28		1
20	20087185	V.S.F I130 R1/15 F.38		1
20	20004079	V.S.F I130 R1/20		1
20	20004108	V.S.F I130 R1/20 F.28		1
20	20079588	V.S.F I130 R1/20 F.38		1
20	20004081	V.S.F I130 R1/25		1
20	20004109	V.S.F I130 R1/25 F.28		1
20	20079589	V.S.F I130 R1/25 F.38		1
20	20004082	V.S.F I130 R1/30		1
20	20004110	V.S.F I130 R1/30 F.28		1
20	20079590	V.S.F I130 R1/30 F.38		1
20	20004084	V.S.F I130 R1/40		1
20	20004112	V.S.F I130 R1/40 F.28		1
20	20079591	V.S.F I130 R1/40 F.38		1
20	20004086	V.S.F I130 R1/50		1
20	20004114	V.S.F I130 R1/50 F.28		1
20	20004088	V.S.F I130 R1/60		1
20	20004115	V.S.F I130 R1/60 F.28		1
20	20078675	V.S.F I130 R1/80 F.24 ZI		1
20	20078673	V.S.F I130 R1/80 F.28 ZI		1
20	20078674	V.S.F I130 R1/80 ZI		1
20	20077976	V.S.F I130 R1/100 F.24 ZI		1
20	20077977	V.S.F I130 R1/100 F.28 ZI		1
20	20077975	V.S.F I130 R1/100 ZI		1
21	20025177	FLANGIA PIATTA I130		2

POS.	CODE	DESCRIPTION	MAT.	Q.TY
1	00001566	OIL SEAL 70. 90. 10 BASL		2
2	20004131	FOOT I130		2
3	20004144	GASKET I-MI130		2
4	00001259	BEARING 6014		2
5	00001719	SCREW T.E. M6 .16 UNI 5739		6
6	20004138	COVER I130		1
7	00001237	BEARING 32209		2
8	00043064	PLUG 1/2 GAS (CH.27)		1
9	00036151	PLUG 1/2 GAS AVP + ETICH		1
10	20004119	CROWN GEAR I130 R1/7,5		1
10	20004120	CROWN GEAR I130 R1/10		1
10	20004121	CROWN GEAR I130 R1/15		1
10	20004122	CROWN GEAR I130 R1/20		1
10	20004123	CROWN GEAR I130 R1/25		1
10	20004124	CROWN GEAR I130 R1/30		1
10	20004125	CROWN GEAR I130 R1/40		1
10	20004126	CROWN GEAR I130 R1/50		1
10	20004130	CROWN GEAR I130 R1/60		1
10	20078676	CROWN GEAR I130 R1/80		1
10	20077974	CROWN GEAR I130 R1/100		1
11	00076967	PLUG 1/2		1
12	20004130	BODY I130		1
13	20004145	GASKET I-MI130		2
14	00001790	NUT M12 UNI 5588		4
15	20080167	F.A.M I130 D.140 B.14		1
15	20004068	F.A.M I130 D.160 B.14		1
15	20004140	F.A.M I130 D.200		1
15	20004161	F.A.M I130 D.250		1
15	20079613	F.A.M I130 D.300		1
16	00001764	STUD BOLT M12.30 UNI 5909 L.TOT.4 2		4
17	00001549	OIL SEAL 45. 72. 10		1
18	00001721	SCREW T.E. M6 .20 UNI 5739		6
19	00001681	SCREW T.E. M10.25 UNI 5739		16
20	20004073	WORM SCREW I130 R1/7.5		1
20	20004105	WORM SCREW I130 R1/7.5 F.28		1
20	20088629	WORM SCREW I130 R1/7.5 F.38		1
20	20004075	WORM SCREW I130 R1/10		1

POS.	CODE	DESCRIPTION	MAT.	Q.TY
20	20004106	WORM SCREW I130 R1/10 F.28		1
20	20088626	WORM SCREW I130 R1/10 F.38		1
20	20004077	WORM SCREW I130 R1/15		1
20	20004107	WORM SCREW I130 R1/15 F.28		1
20	20087185	WORM SCREW I130 R1/15 F.38		1
20	20004079	WORM SCREW I130 R1/20		1
20	20004108	WORM SCREW I130 R1/20 F.28		1
20	20079588	WORM SCREW I130 R1/20 F.38		1
20	20004081	WORM SCREW I130 R1/25		1
20	20004109	WORM SCREW I130 R1/25 F.28		1
20	20079589	WORM SCREW I130 R1/25 F.38		1
20	20004082	WORM SCREW I130 R1/30		1
20	20004110	WORM SCREW I130 R1/30 F.28		1
20	20079590	WORM SCREW I130 R1/30 F.38		1
20	20004084	WORM SCREW I130 R1/40		1
20	20004112	WORM SCREW I130 R1/40 F.28		1
20	20079591	WORM SCREW I130 R1/40 F.38		1
20	20004086	WORM SCREW I130 R1/50		1
20	20004114	WORM SCREW I130 R1/50 F.28		1
20	20004088	WORM SCREW I130 R1/60		1
20	20004115	WORM SCREW I130 R1/60 F.28		1
20	20078675	WORM SCREW I130 R1/80 F.24 ZI		1
20	20078673	WORM SCREW I130 R1/80 F.28 ZI		1
20	20078674	WORM SCREW I130 R1/80 ZI		1
20	20077976	WORM SCREW I130 R1/100 F.24 ZI		1
20	20077977	WORM SCREW I130 R1/100 F.28 ZI		1
20	20077975	WORM SCREW I130 R1/100 ZI		1
21	20025177	FLANGE I130		2

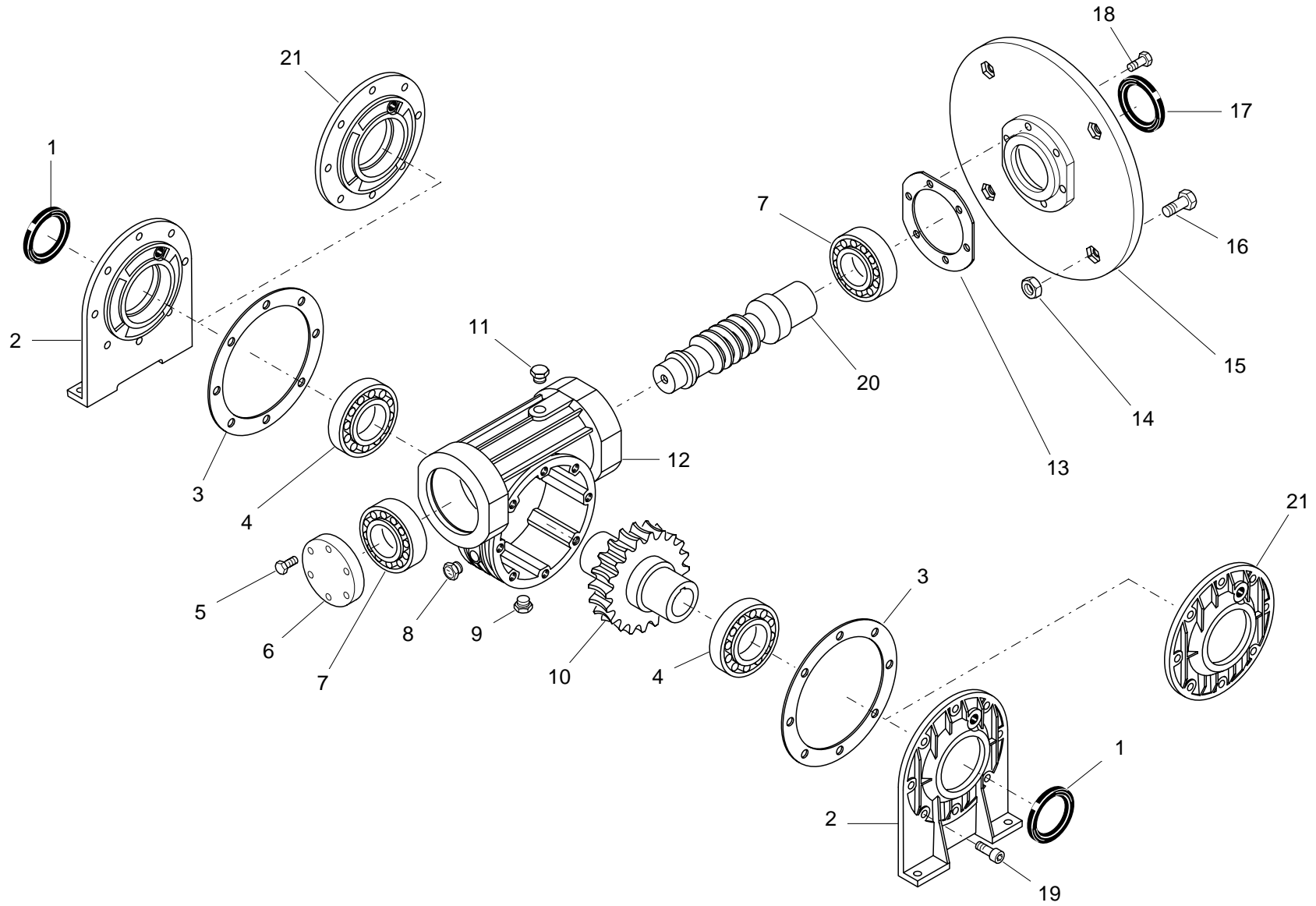


POS.	CODICE	DESCRIZIONE	MAT.	Q.TA'
1	00001568	AN. DI TENUTA 80. 100. 10 BASL		2
2	20004202	PIEDE I150		2
3	20004219	GUARN.ALB. LENTO I-MI 150		2
4	00001288	CUSCINETTO 6216		1
5	00001729	VITE T.E. M8 .20 UNI 5739		6
6	20004206	COPERCHIO CHIUSO I150		1
7	00001215	CUSCINETTO 30211		2
8	00043064	TAPPO LIVELLO OLIO 1/2 GAS		1
9	00036151	TAPPO CHIUSO SCARICO 1/2 GAS		1
10	20004188	CORONA I150 R1/7.5		1
10	20004189	CORONA I150 R1/10		1
10	20004190	CORONA I150 R1/15		1
10	20004191	CORONA I150 R1/20		1
10	20004192	CORONA I150 R1/25		1
10	20004193	CORONA I150 R1/30		1
10	20004194	CORONA I150 R1/40		1
10	20004195	CORONA I150 R1/50		1
10	20004196	CORONA I150 R1/60		1
10	20004197	CORONA I150 R1/80		1
10	20004198	CORONA I150 R1/100		1
11	00076967	TAPPO SFIATO VALVOLA 1/2 GAS		1
12	20004200	CORPO I150		1
13	20004220	GUARN.ALB.VELOCE I-MI 150		1
14	00001790	DADO ESAGONALE M12 UNI 5588		4
15	20004208	F.A.M I150 D.250		1
15	20004210	F.A.M I150 D.300		1
15	20085944	F.A.M I150 D.350		1
16	00001764	VITE T.E. M12.30 UNI 5909		4
17	00001557	AN. DI TENUTA 55. 80. 10 BASL		1
18	00001729	VITE T.E. M8.20 UNI 5739		4
19	00001689	VITE T.E. M12 .30 UNI 5739		16
20	20004146	V.S.F I150 R1/7.5		1
20	20004174	V.S.F I150 R1/7.5 F.38		1
20	20088800	V.S.F I150 R1/7.5 F.42		1
20	20004147	V.S.F I150 R1/10		1
20	20004175	V.S.F I150 R1/10 F.38		1
20	20085890	V.S.F I150 R1/10 F.42		1

POS.	CODICE	DESCRIZIONE	MAT.	Q.TA'
20	20004148	V.S.F I150 R1/15		1
20	20004176	V.S.F I150 R1/15 F.38		1
20	20088803	V.S.F I150 R1/15 F.42		1
20	20004150	V.S.F I150 R1/20		1
20	20004177	V.S.F I150 R1/20 F.38		1
20	20004152	V.S.F I150 R1/25		1
20	20004178	V.S.F I150 R1/25 F.38		1
20	20004153	V.S.F I150 R1/30		1
20	20004179	V.S.F I150 R1/30 F.38		1
20	20004155	V.S.F I150 R1/40		1
20	20004182	V.S.F I150 R1/40 F.38		1
20	20004156	V.S.F I150 R1/50		1
20	20004170	V.S.F I150 R1/50 F.28		1
20	20004183	V.S.F I150 R1/50 F.38		1
20	20004157	V.S.F I150 R1/60		1
20	20004171	V.S.F I150 R1/60 F.28		1
20	20004184	V.S.F I150 R1/60 F.38		1
20	20004159	V.S.F I150 R1/80		1
20	20004172	V.S.F I150 R1/80 F.28		1
20	20004160	V.S.F I150 R1/100		1
20	20004173	V.S.F I150 R1/100 F.28		1
21	20025179	FLANGIA PIATTA I150		2

POS.	CODE	DESCRIPTION	MAT.	Q.TY
1	00001568	OIL SEAL 80. 100. 10 BASL		2
2	20004202	FOOT I150		2
3	20004219	GASKET I-MI 150		2
4	00001288	BEARING 6216		1
5	00001729	SCREW T.E. M8 .20 UNI 5739		6
6	20004206	COVER I150		1
7	00001215	BEARING 30211		2
8	00043064	PLUG 1/2 GAS		1
9	00036151	PLUG 1/2 GAS		1
10	20004188	CROWN GEAR I150 R1/7.5		1
10	20004189	CROWN GEAR I150 R1/10		1
10	20004190	CROWN GEAR I150 R1/15		1
10	20004191	CROWN GEAR I150 R1/20		1
10	20004192	CROWN GEAR I150 R1/25		1
10	20004193	CROWN GEAR I150 R1/30		1
10	20004194	CROWN GEAR I150 R1/40		1
10	20004195	CROWN GEAR I150 R1/50		1
10	20004196	CROWN GEAR I150 R1/60		1
10	20004197	CROWN GEAR I150 R1/80		1
10	20004198	CROWN GEAR I150 R1/100		1
11	00076967	PLUG 1/2 GAS		1
12	20004200	BODY I150		1
13	20004220	GASKET I-MI 150		1
14	00001790	NUT M12 UNI 5588		4
15	20004208	F.A.M I150 D.250		1
15	20004210	F.A.M I150 D.300		1
15	20085944	F.A.M I150 D.350		1
16	00001764	SCREW T.E. M12.30 UNI 5909		4
17	00001557	OIL SEAL 55. 80. 10 BASL		1
18	00001729	SCREW T.E. M8.20 UNI 5739		4
19	00001689	SCREW T.E. M12 .30 UNI 5739		16
20	20004146	WORM SCREW I150 R1/7.5		1
20	20004174	WORM SCREW I150 R1/7.5 F.38		1
20	20088800	WORM SCREW I150 R1/7.5 F.42		1
20	20004147	WORM SCREW I150 R1/10		1
20	20004175	WORM SCREW I150 R1/10 F.38		1
20	20085890	WORM SCREW I150 R1/10 F.42		1

POS.	CODE	DESCRIPTION	MAT.	Q.TY
20	20004148	WORM SCREW I150 R1/15		1
20	20004176	WORM SCREW I150 R1/15 F.38		1
20	20088803	WORM SCREW I150 R1/15 F.42		1
20	20004150	WORM SCREW I150 R1/20		1
20	20004177	WORM SCREW I150 R1/20 F.38		1
20	20004152	WORM SCREW I150 R1/25		1
20	20004178	WORM SCREW I150 R1/25 F.38		1
20	20004153	WORM SCREW I150 R1/30		1
20	20004179	WORM SCREW I150 R1/30 F.38		1
20	20004155	WORM SCREW I150 R1/40		1
20	20004182	WORM SCREW I150 R1/40 F.38		1
20	20004156	WORM SCREW I150 R1/50		1
20	20004170	WORM SCREW I150 R1/50 F.28		1
20	20004183	WORM SCREW I150 R1/50 F.38		1
20	20004157	WORM SCREW I150 R1/60		1
20	20004171	WORM SCREW I150 R1/60 F.28		1
20	20004184	WORM SCREW I150 R1/60 F.38		1
20	20004159	WORM SCREW I150 R1/80		1
20	20004172	WORM SCREW I150 R1/80 F.28		1
20	20004160	WORM SCREW I150 R1/100		1
20	20004173	WORM SCREW I150 R1/100 F.28		1
21	20025179	FLANGE I150		2



POS.	CODICE	DESCRIZIONE	MAT.	Q.TA'
1	00021680	AN. DI TENUTA 85. 110. 12 BASL		2
2	20020319	PIEDE I175		2
3	20020414	GUARN.ALB.LENTO I-MI175		2
4	00021679	CUSCINETTO 6217		2
5	00034329	VITE T.E M12.25 UNI 5739		6
6	20020322	COPERCHIO CHIUSO I175		1
7	00021678	CUSCINETTO 30212		2
8	00043064	TAPPO LIVELLO OLIO 1/2 GAS (CH.27)		1
9	00036151	TAPPO CHIUSO SCARICO 1/2 GAS AVP + ETICH		1
10	20020333	CORONA I175 R1/7.5		1
10	20020334	CORONA I175 R1/10		1
10	20020335	CORONA I175 R1/15		1
10	20020336	CORONA I175 R1/20		1
10	20020337	CORONA I175 R1/25		1
10	20020338	CORONA I175 R1/30		1
10	20020339	CORONA I175 R1/40		1
10	20020340	CORONA I175 R1/50		1
10	20020341	CORONA I175 R1/60		1
10	20020342	CORONA I175 R1/80		1
10	20020344	CORONA I175 R1/100		1
11	00076967	TAPPO SFIATO VALVOLA 1/2		1
12	20020317	CORPO I175		1
13	20020415	GUARN.ALB.VELOCE I-MI175		2
14	00001792	DADO ESAGONALE M16 UNI 5588		4
15	20020327	F.A.M I175 D.250		1
15	20020238	F.A.M I175 D.300		1
15	20020330	F.A.M I175 D.350		1
16	00001707	VITE T.E. M16.70 UNI 5739		4
17	00001563	AN. DI TENUTA 60. 80. 10 BASL		1
18	00020493	VITE T.E. M12.35 UNI 5739		6
19	00001689	VITE T.E. M12.30 UNI 5739		22
20	20020345	V.S.F I175 R1/7.5		1
20	20020396	V.S.F I175 R1/7.5 F.38		1
20	20020406	V.S.F I175 R1/7.5 F.42		1
20	20020346	V.S.F I175 R1/10		1
20	20020397	V.S.F I175 R1/10 F.38		1
20	20020407	V.S.F I175 R1/10 F.42		1

POS.	CODICE	DESCRIZIONE	MAT.	Q.TA'
20	20020347	V.S.F I175 R1/15		1
20	20020398	V.S.F I175 R1/15 F.38		1
20	20020408	V.S.F I175 R1/15 F.42		1
20	20020348	V.S.F I175 R1/20		1
20	20020399	V.S.F I175 R1/20 F.38		1
20	20020409	V.S.F I175 R1/20 F.42		1
20	20020349	V.S.F I175 R1/25		1
20	20020400	V.S.F I175 R1/25 F.38		1
20	20020410	V.S.F I175 R1/25 F.42		1
20	20020350	V.S.F I175 R1/30		1
20	20020401	V.S.F I175 R1/30 F.38		1
20	20020411	V.S.F I175 R1/30 F.42		1
20	20020351	V.S.F I175 R1/40		1
20	20020402	V.S.F I175 R1/40 F.38		1
20	20020412	V.S.F I175 R1/40 F.42		1
20	20020352	V.S.F I175 R1/50		1
20	20020403	V.S.F I175 R1/50 F.38		1
20	20020413	V.S.F I175 R1/50 F.42		1
20	20020353	V.S.F I175 R1/60		1
20	20020404	V.S.F I175 R1/60 F.38		1
20	20037409	V.S.F I175 R1/60 F.42		1
20	20020354	V.S.F I175 R1/80		1
20	20020394	V.S.F I175 R1/80 F.28		1
20	20020405	V.S.F I175 R1/80 F.38		1
20	20020355	V.S.F I175 R1/100		1
20	20020395	V.S.F I175 R1/100 F.28		1
21	20044811	FLANGIA PIATTA I175		2

POS.	CODE	DESCRIPTION	MAT.	Q.TY
1	00021680	OIL SEAL 85. 110. 12 BASL		2
2	20020319	FOOT I175		2
3	20020414	GASKET I-MI175		2
4	00021679	BEARING 6217		2
5	00034329	SCREW T.E M12.25 UNI 5739		6
6	20020322	COVER I175		1
7	00021678	BEARING 30212		2
8	00043064	PLUG 1/2 GAS (CH.27)		1
9	00036151	PLUG 1/2 GAS AVP + ETICH		1
10	20020333	CROWN GEAR I175 R1/7.5		1
10	20020334	CROWN GEAR I175 R1/10		1
10	20020335	CROWN GEAR I175 R1/15		1
10	20020336	CROWN GEAR I175 R1/20		1
10	20020337	CROWN GEAR I175 R1/25		1
10	20020338	CROWN GEAR I175 R1/30		1
10	20020339	CROWN GEAR I175 R1/40		1
10	20020340	CROWN GEAR I175 R1/50		1
10	20020341	CROWN GEAR I175 R1/60		1
10	20020342	CROWN GEAR I175 R1/80		1
10	20020344	CROWN GEAR I175 R1/100		1
11	00076967	PLUG 1/2		1
12	20020317	BODY I175		1
13	20020415	GASKET I-MI175		2
14	00001792	NUT M16 UNI 5588		4
15	20020327	F.A.M I175 D.250		1
15	20020238	F.A.M I175 D.300		1
15	20020330	F.A.M I175 D.350		1
16	00001707	SCREW T.E. M16.70 UNI 5739		4
17	00001563	OIL SEAL 60. 80. 10 BASL		1
18	00020493	SCREW T.E. M12.35 UNI 5739		6
19	00001689	SCREW T.E. M12.30 UNI 5739		22
20	20020345	WORM SCREW I175 R1/7.5		1
20	20020396	WORM SCREW I175 R1/7.5 F.38		1
20	20020406	WORM SCREW I175 R1/7.5 F.42		1
20	20020346	WORM SCREW I175 R1/10		1
20	20020397	WORM SCREW I175 R1/10 F.38		1
20	20020407	WORM SCREW I175 R1/10 F.42		1

POS.	CODE	DESCRIPTION	MAT.	Q.TY
20	20020347	WORM SCREW I175 R1/15		1
20	20020398	WORM SCREW I175 R1/15 F.38		1
20	20020408	WORM SCREW I175 R1/15 F.42		1
20	20020348	WORM SCREW I175 R1/20		1
20	20020399	WORM SCREW I175 R1/20 F.38		1
20	20020409	WORM SCREW I175 R1/20 F.42		1
20	20020349	WORM SCREW I175 R1/25		1
20	20020400	WORM SCREW I175 R1/25 F.38		1
20	20020410	WORM SCREW I175 R1/25 F.42		1
20	20020350	WORM SCREW I175 R1/30		1
20	20020401	WORM SCREW I175 R1/30 F.38		1
20	20020411	WORM SCREW I175 R1/30 F.42		1
20	20020351	WORM SCREW I175 R1/40		1
20	20020402	WORM SCREW I175 R1/40 F.38		1
20	20020412	WORM SCREW I175 R1/40 F.42		1
20	20020352	WORM SCREW I175 R1/50		1
20	20020403	WORM SCREW I175 R1/50 F.38		1
20	20020413	WORM SCREW I175 R1/50 F.42		1
20	20020353	WORM SCREW I175 R1/60		1
20	20020404	WORM SCREW I175 R1/60 F.38		1
20	20037409	WORM SCREW I175 R1/60 F.42		1
20	20020354	WORM SCREW I175 R1/80		1
20	20020394	WORM SCREW I175 R1/80 F.28		1
20	20020405	WORM SCREW I175 R1/80 F.38		1
20	20020355	WORM SCREW I175 R1/100		1
20	20020395	WORM SCREW I175 R1/100 F.28		1
21	20044811	FLANGE I175		2